

Bookcase Door Specifications - Freestanding Style

Overview

Material	Alder / Uniboard
Interior Latch	Manual
Locking device	Electric Strike
Hinge	Proprietary Pivot
Hinge Side	L or R (Universal)
Swing Dir.	In or Out (Universal)
Style	Freestanding

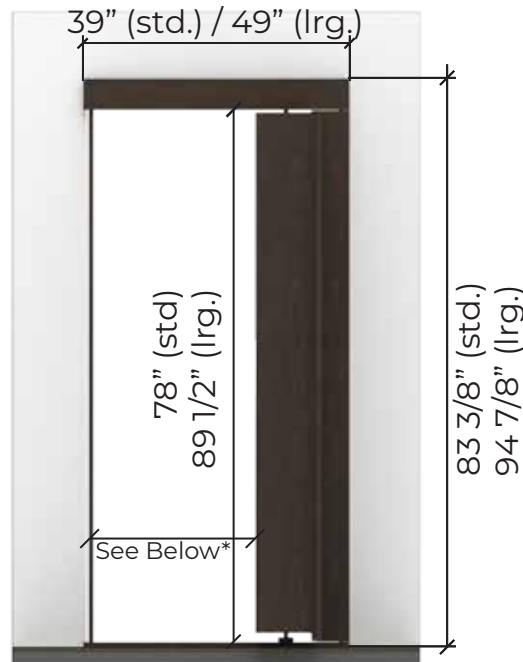
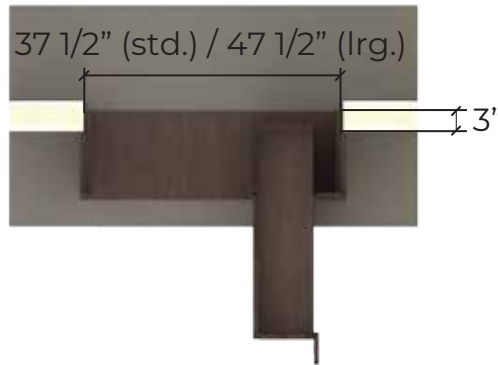
Various finishes and materials available



Right Hinge / Out Swing Shown

Key Dimensions

Two sizes:
Standard (std.) and Large (lrg.)



* 20" (std.) / 30" (lrg.) for inswing
22 1/2" (std.) / 32 1/2" (lrg.) for outswing

Wall Requirements

Installation of the bookcase door requires a wall opening with the below noted dimensions. Dimensions may vary by up to 1/8".

