

General Information

The SecuriWall™ modular panel system provides any room with extreme forced entry capability and ballistic resistance. It can be mounted over framed or masonry walls with or without drywall applied. The panels are laser cut at our facility to match your space. All necessary hardware required for installation is included.


Features


- Complete modular armor system delivered ready-to-install. No cutting or drilling required.
- Can be painted or clad with drywall or similar wall covering products.
- Unlimited phone and video support. Expert advice and support before, during, and after installation.

Available Options

- Standard Steel or Ballistic Armor (UL 8 equivalent ballistic rating. See the following page for more details.)
- Finishes: See “Finishes” section
- Sizing: Customized to fit your space.

Finishes

 **Unfinished:** Raw mill finish ready to accept paint or similar coating.

 **Painted:** Black industrial paint over a durable primer coat.

Additional Customization

If you require additional customization beyond what is available on our website, please contact us for availability and a no-obligation price quote.

Phone: 480-926-1742

Email: contact@hiddendoorstore.com



The SecuriWall™ Modular Panel System is shown installed over standard stud and drywall framing. Overlapping joiner plates between each main panel ensure a seamless barrier along the entire length of the wall.

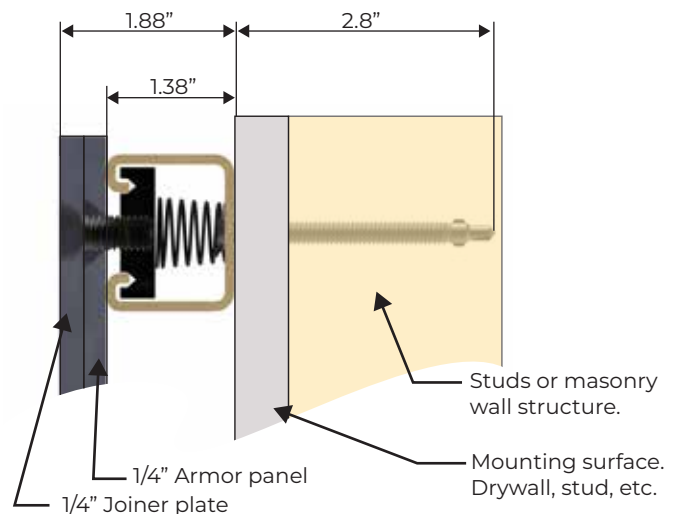
Ordering Process

1. Measure the length of each wall that requires armor.
2. Add all of the lengths together.
3. Enter the combined total in the product configuration page.
4. Choose your armor/ballistic requirements.
5. Place your order.
6. A Hidden Door Store representative will contact you to get specific wall lengths and door cutout locations.
7. Your panels and hardware will be fabricated and crated for shipment.

Panel Configuration and Mounting



Connection Detail



Additional Notes

- Standard panels are 8' tall and 1/4" thick. The Hidden Door Store will calculate optimum widths for each panel based on wall lengths provided.
- Ballistic and Non-ballistic options are available. Ballistic panels surpass UL level 8 ratings and will stop multiple rounds from rifles like the AK-47 and AR-15.
- Penetrations for outlets, switches, etc. can be made using an angle grinder during installation.
- Non-standard panel heights, shapes, thicknesses, and laser cut outlet/switch penetrations available on request for an additional fee.
- Panels may be painted or hidden entirely by drywall. (Construction adhesive and 1/4" spacers between joiner plates recommended for drywall concealment.)

UL 752 Ballistic Standards

The chart below outlines the ballistic standards set forth by Underwriters Laboratories UL 752. The armor used for the Securiwall™ Ballistic Rating option meets or exceeds UL Level 8, as shown below.

UL LEVEL	AMMUNITION	GRAINS	FPS	SHOTS
1	9mm FMJ, lead core	124	1175	3
2	.357 Magnum, JSP	158	1250	3
3	Colt .44 Magnum, SWC	240	1350	3
4	.30 Cal Rifle, Soft Point	180	2540	1
5	7.62mm FMJ, lead core	150	2750	1
6	9mm FMJ, lead core	124	1400	5
7	5.56mm FMJ, lead core	55	3080	5
8	7.62mm FMJ, lead core	150	2750	5
9	.30 Cal Rifle, AP rounds	166	2715	1
10	.50 Cal Rifle, mil. ball	709.5	2810	1