

## General Information

Panel secret doors (aka jib doors) are an elegant and classic way to hide any secret space. Our panel door solves all of the complications associated with typical panel door installations. Just install the pre-hung door system and then adhere your panel to the face. Accepts panels up to 1" thick.

Our unique hinge system eliminates the need for complicated mitered or overlapping joints between panels. Simple butt joints at each panel edge is all that is needed for perfect concealment.

Includes pre-installed 600lb electromagnetic locking system and partial automatic door opener. No wiring or electronics experience needed!

Our extensive experience and industry leading hardware provides superior concealment, security and quality.



*Install any style wall panelling over the pre-hung door system to create an amazing secret door. Wainscoting shown as an example.*

## Features

- Two year warranty on parts and materials. Longest in the industry.
- Pre-hung and tested. No wiring or assembly required.
- Accepts panels up to 1" thick.
- No complicated joinery or hinges to fit to your panels. We've done all the engineering for you.
- Locking system and partial opener included. Compatible with our wide range of unique secret switches.
- Thresholdless design.
- Unlimited phone and video support. Expert advice and support before, during, and after installation.
- 75lb panel load capacity

## Available Options

- Wood Species: See "Materials" section
- Finishes: See "Finishes" section
- Sizing: Customizable up to 44"W, 92"T
- Swing Direction: Outswing only
- Hinge Side: Left or Right
- Wireless Switches: Book, Keypad, Fob, etc.

## Additional Customization

If you require additional customization beyond what is available on our website, please contact us for availability and a no-obligation price quote.

Phone: 480-926-1742

Email: [contact@hiddendoorstore.com](mailto:contact@hiddendoorstore.com)

## Materials



**American Hard Maple**  
Recommended for painted finishes.



**Clear Alder**  
Recommended for painted or stained finishes.

## Finishes



**Unfinished:** *Apply your own finish*  
Sanded and ready to accept a finish.



**Stained:** *Light, Medium, Dark, Match*  
Hand applied stain with sprayed satin topcoat.



**Painted:** *White, Gray, Black, Match*  
High quality pre-catalyzed lacquer.

## Key Details

Flat front face ready to accept your panels. Fascia may be up to 1" thick.

Articulating compound hinges designed specifically for panel door use. Entire door is pre-hung so no fitment or design work is required.

Integrated magnetic lock and door popper mechanism.

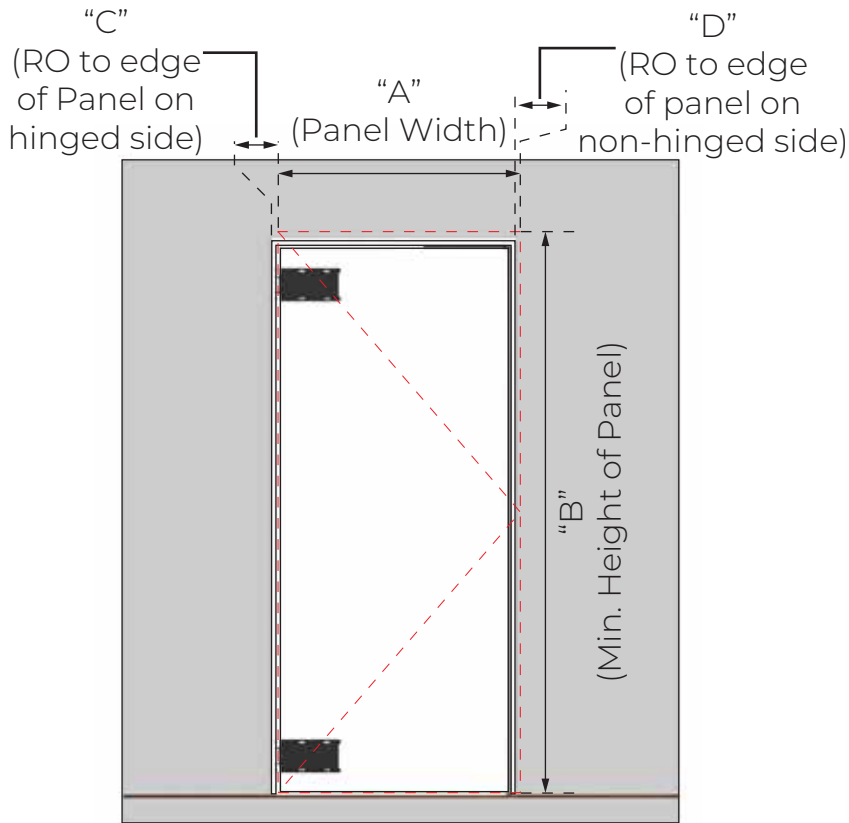


Adjacent panels meet at moving panel with simple butt joints. No complex joinery required.

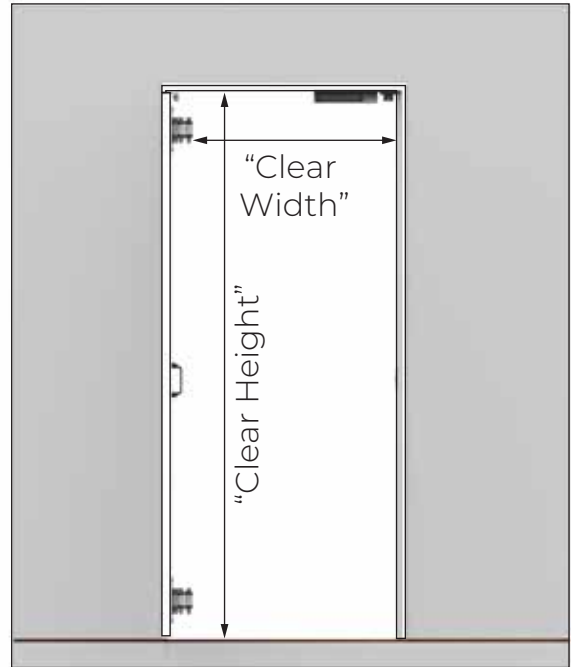


Interior handle and egress button.

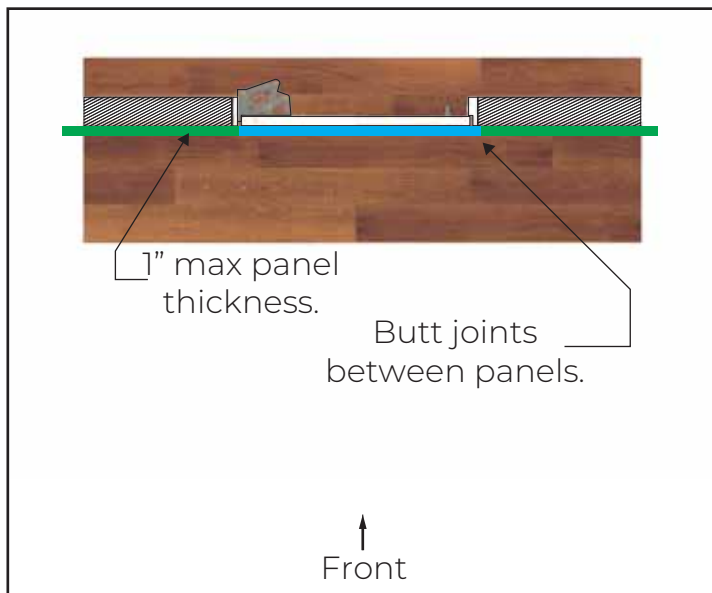
Front View - Closed



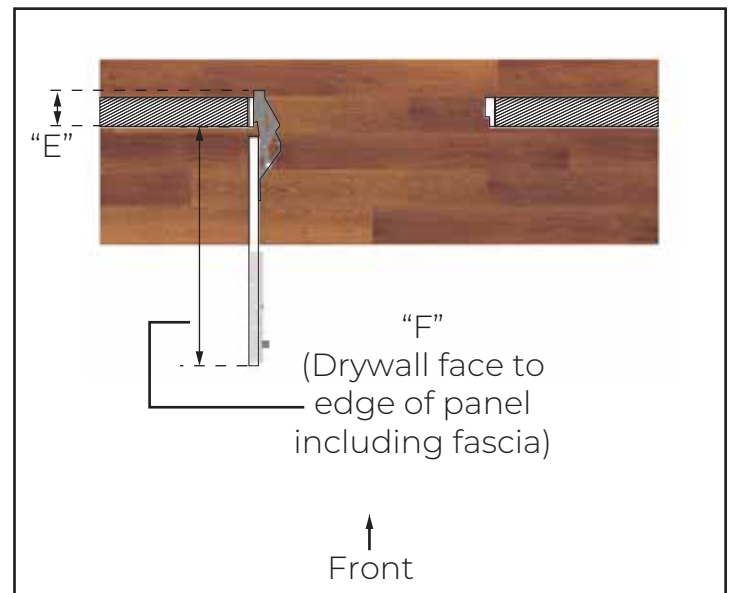
Front View - Open



Top View - Closed



Top View - Open



## Wall Condition Requirements

The door must be installed in a wall opening that is plumb and level. The floor must be a hard surface (IE, concrete, wood, tile) and free of humps or bellies.

It is also recommended to use a level on the face of the wall surrounding the opening and verify that the surfaces are flat.

NOTE: The final quality of the concealment and function of the door depends heavily on the quality of the door opening. For best results, correct any wall or floor issues before beginning your installation.

## Key Dimensions

Use the charts below to determine the key dimensions of your door based on your chosen wall opening Width ("X") and Height ("Y").

### General Dimensions

"A"	"X" (minimum)
"B"	"Y" + 1
"C"	1.125
"D"	1.125 (minimum)
"E"	5.625"
"F"	"X" + 1.25"

### Clearance Dimensions

Clear Width	"X" - 6.25"
Clear Height	"Y" - 1.25"

