



# **BOOKCASE SECRET DOOR ASSEMBLY MANUAL**

REVISION 1  
SEPT 2022

HIDDEN  
DOOR  
STORE

A white line-art graphic of an open door, positioned to the right of the text 'HIDDEN DOOR STORE'. The door is shown from a perspective, with the top and bottom edges of the door frame visible, and the door itself is slightly ajar.

# S1

## Project Preparation

### **S1.A Required Tools**

- #1 square bit (included)
- #2 phillips bit
- Electric drill *or* driver
- 7/64 drill bit
- 5/16" hex key
- 1/2" wrench *or* adjustable wrench
- 1-1/8" wrench *or* adjustable wrench
- Laser level (preferred) *or* 6'+ bubble level
- Tape measure
- Pencil
- Brad nailer with 2-1/2" trim nails *or* hammer
- Caulking gun
- Construction adhesive
- Appropriate protective equipment

### **S1.B Workspace**

Choose a workspace that is clean and free of debris, paint, stain or any other contaminant that could impact the finishing process. To ensure the best possible fit and finish it is important that assembly be done on a flat surface.

### **S1.C Confirm the wall opening is correctly sized, plumb and level.**

Almost all installation issues arise from improperly sized or prepared openings. Ensure the following conditions are met:

1. The opening matches the dimensions provided.
2. The floor is flat and level.
3. The wall around the opening is flat without any humps or bellies.
4. The opening is plumb and level.



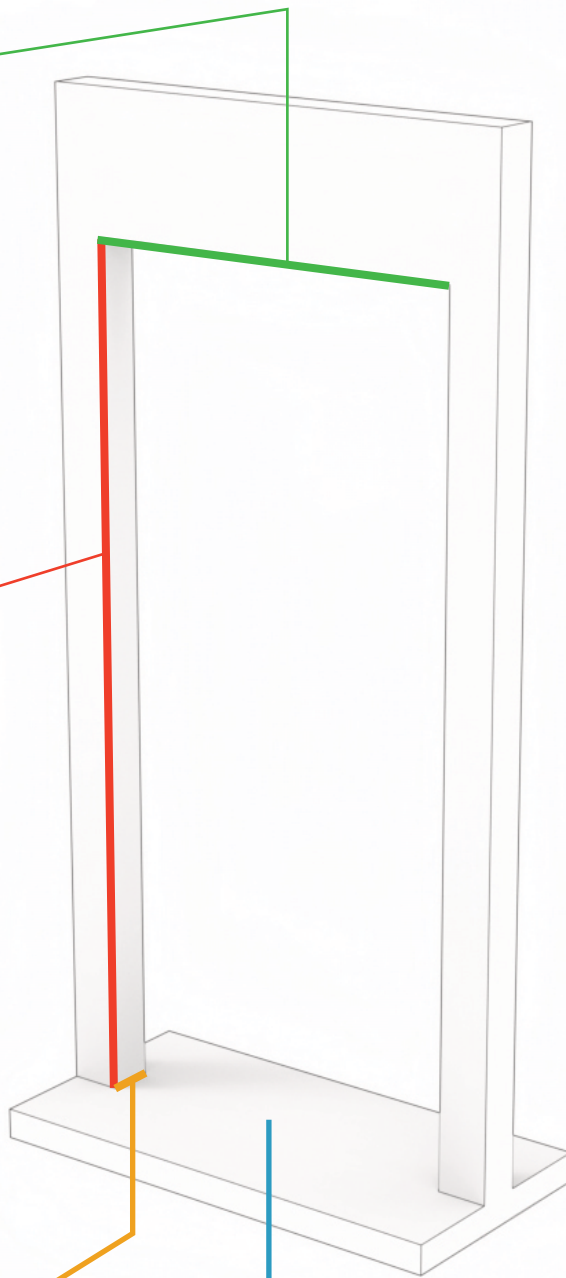
*38" prepared opening width to within 1/8".*

*82 1/2" tall from finished floor to header.*

*Use laser or long level to confirm opening is vertical to within 1/8".*

*4 1/2" wall thickness from face to face to within 3/16".*

*Floor to be flat without humps or bellies.*



**Correct any issues before starting the installation process. Failure to do so will result in unsatisfactory appearance and/or function.**

## **S1.D Choose Hinge Side**

When facing the opening from the non-secret side, decide if you want the door to be hinged on the left or the right. Certain steps in this document will have instructions for both "Left" and "Right" configurations. Follow the instructions and images that pertain to your chosen configuration.

## **S1.E Lay Out the Parts**

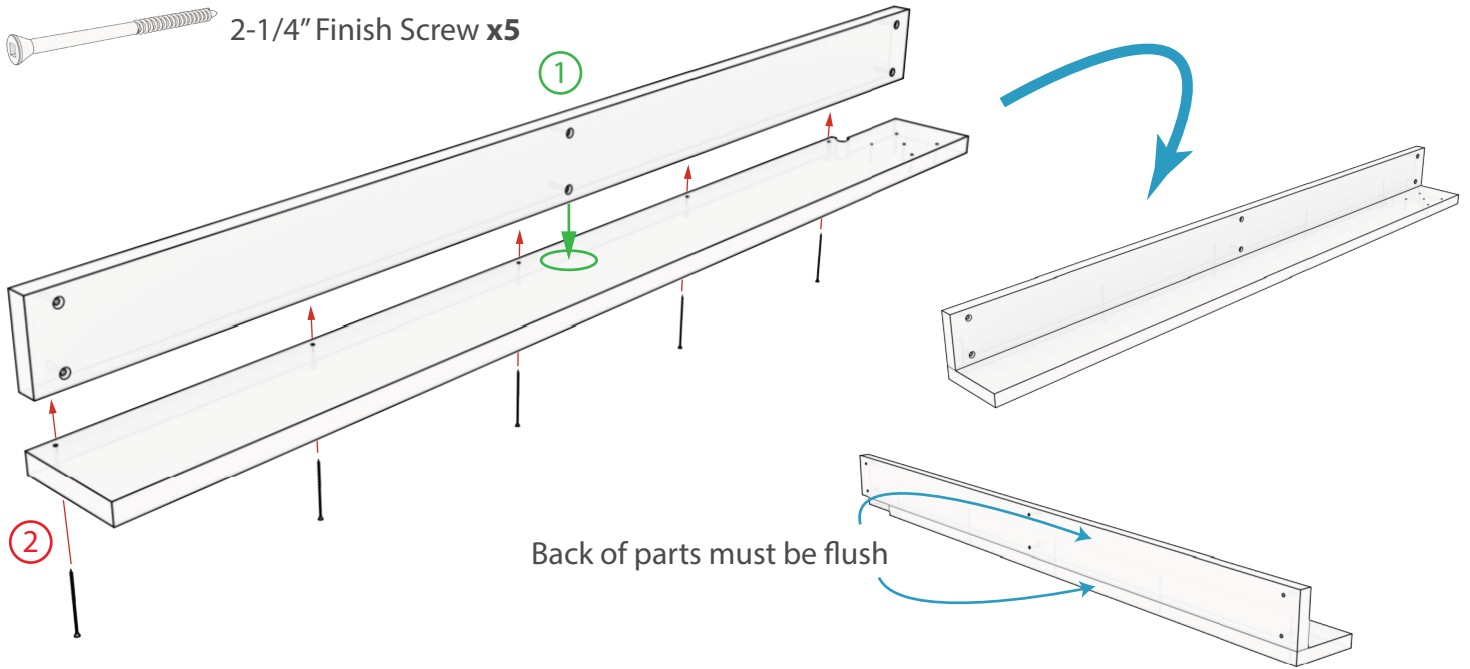
To make identifying each component easier during assembly we recommend you lay all the components out ahead of time. Fasteners and other metal components are pre-packaged by type. Each assembly step will note the component's key characteristics for rapid identification.

---

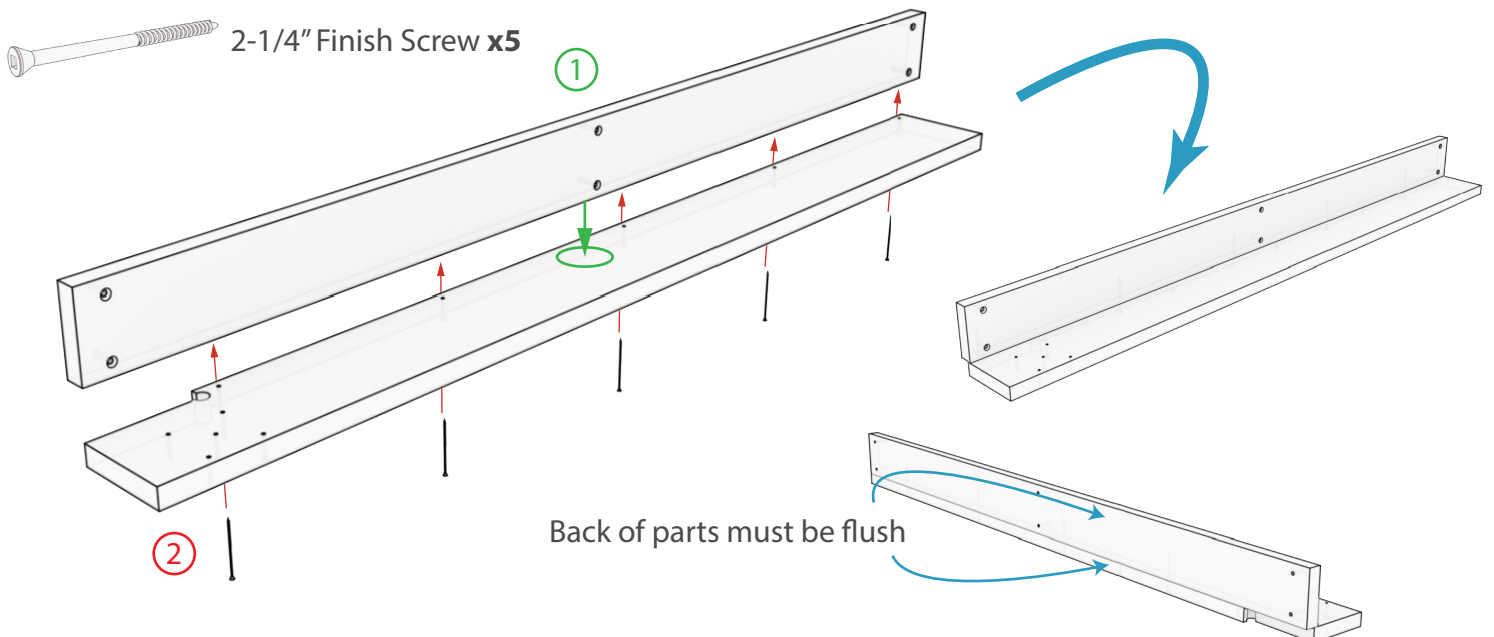
# S2

## Interior Frame

### S2.A LEFT HINGED



### S2.A RIGHT HINGED



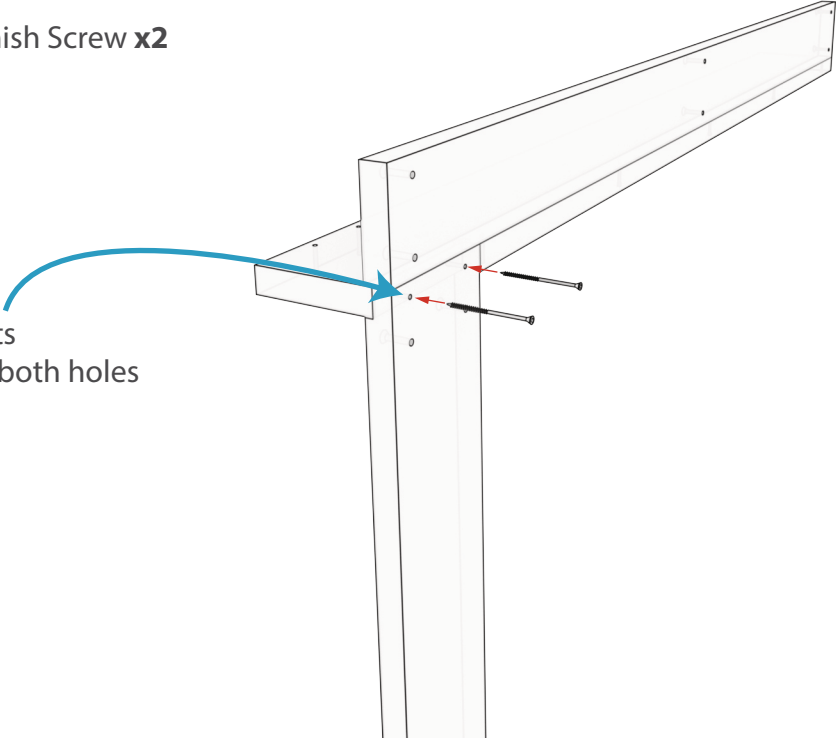
# S.2B

# LEFT HINGED



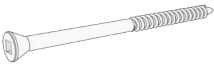
2-1/4" Finish Screw **x2**

While holding parts together, pre-drill both holes with 7/64" drill bit



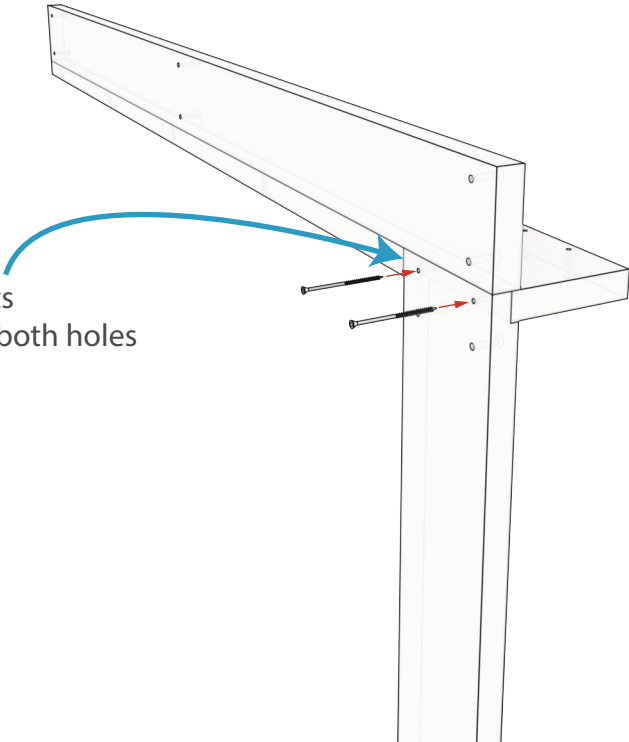
# S.2B

# RIGHT HINGED



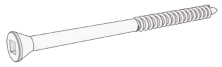
2-1/4" Finish Screw **x2**

While holding parts together, pre-drill both holes with 7/64" drill bit

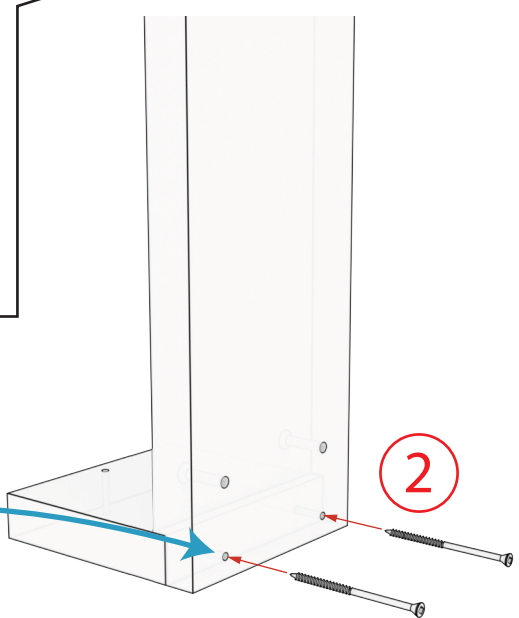
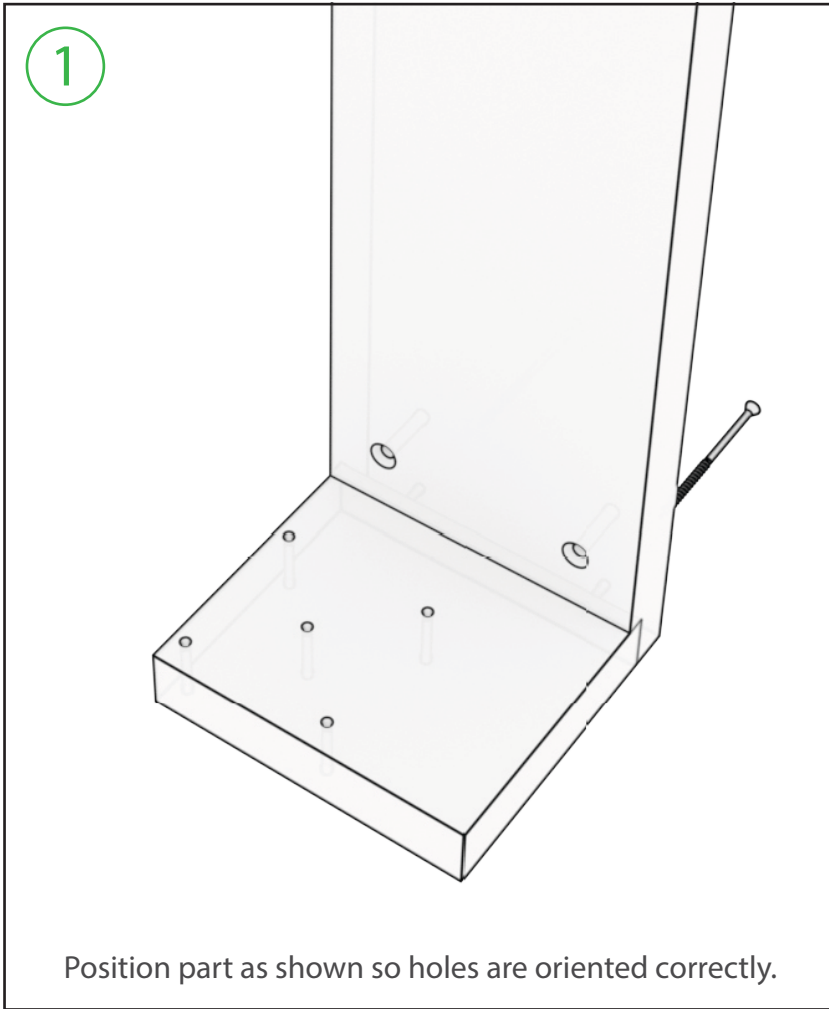
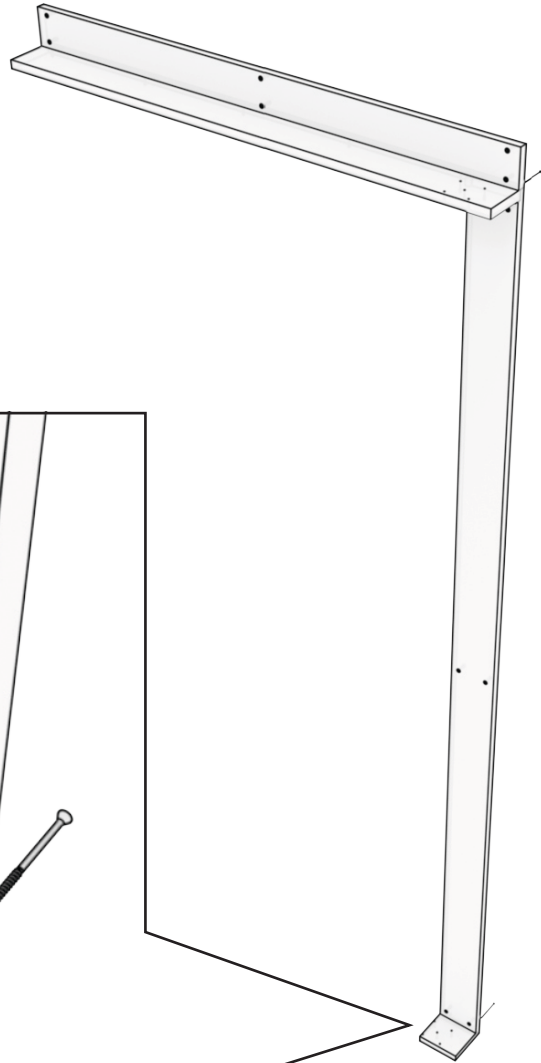


# S2.C

# LEFT HINGED



2-1/4" Finish Screw x2

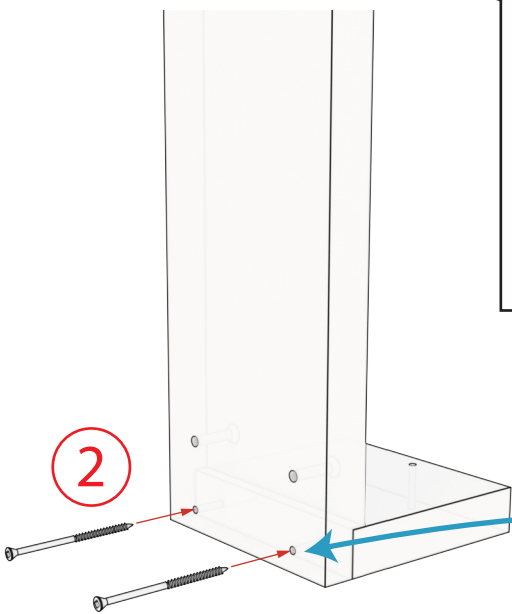
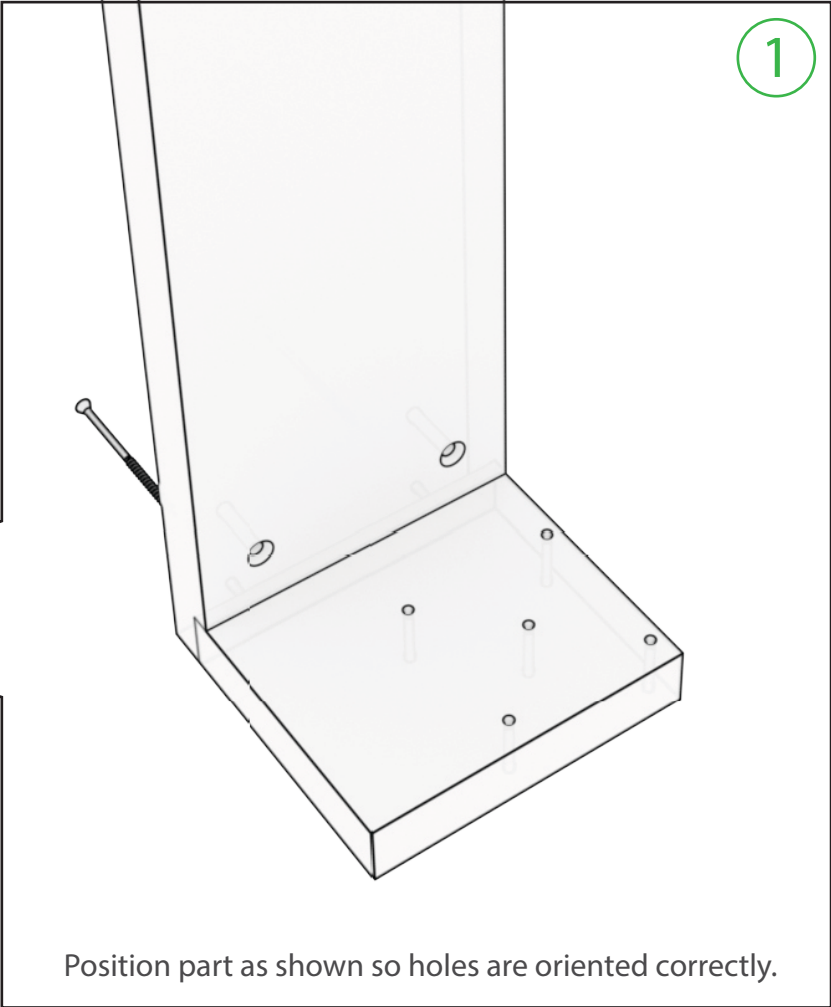
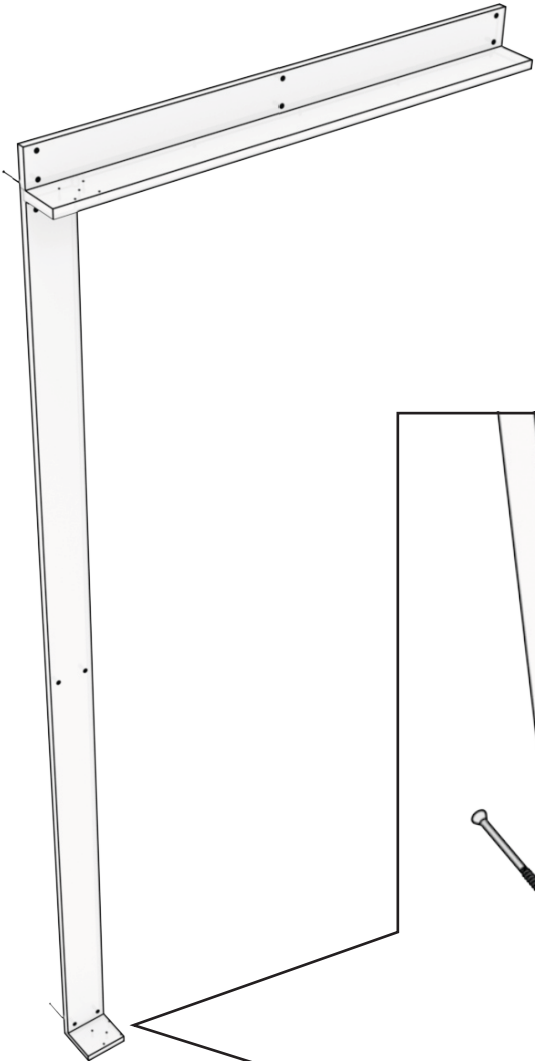
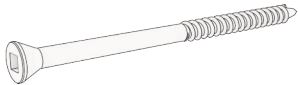


While holding parts together, pre-drill both holes with 7/64" drill bit

# S2.C

# RIGHT HINGED

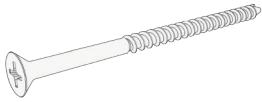
2-1/4" Finish Screw x2



2

While holding parts together, pre-drill both holes with 7/64" drill bit

# S2.D

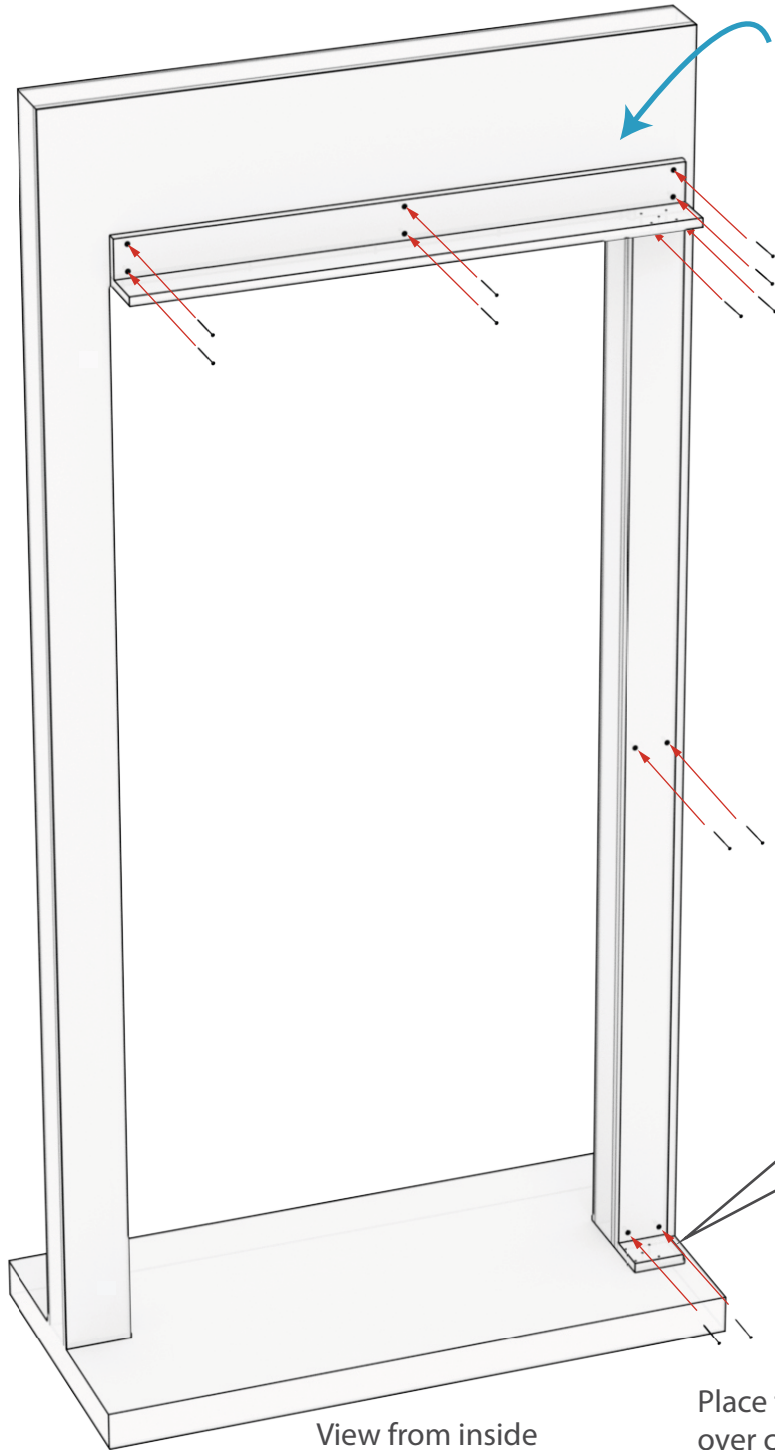


3" Flat Head Screw x12

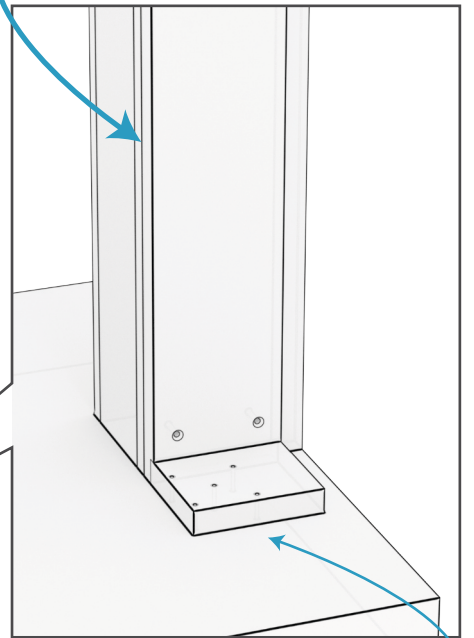
Screw frame to wall inside the secret room.

Left version shown. Right is mirror image.

\*Use wall anchors if necessary for your wall conditions.



Edge of frame and opening should be flush. Ensure frame is perfectly vertical.



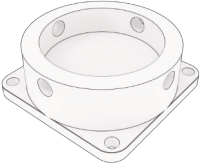
View from inside the secret room.

Place frame firmly against the floor. If installed over carpet it may be necessary to remove the carpet and shim under the frame to provide a solid foundation. Frame should not sag or otherwise move when weight is applied.

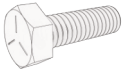


# S2.E

Build qty. of 2



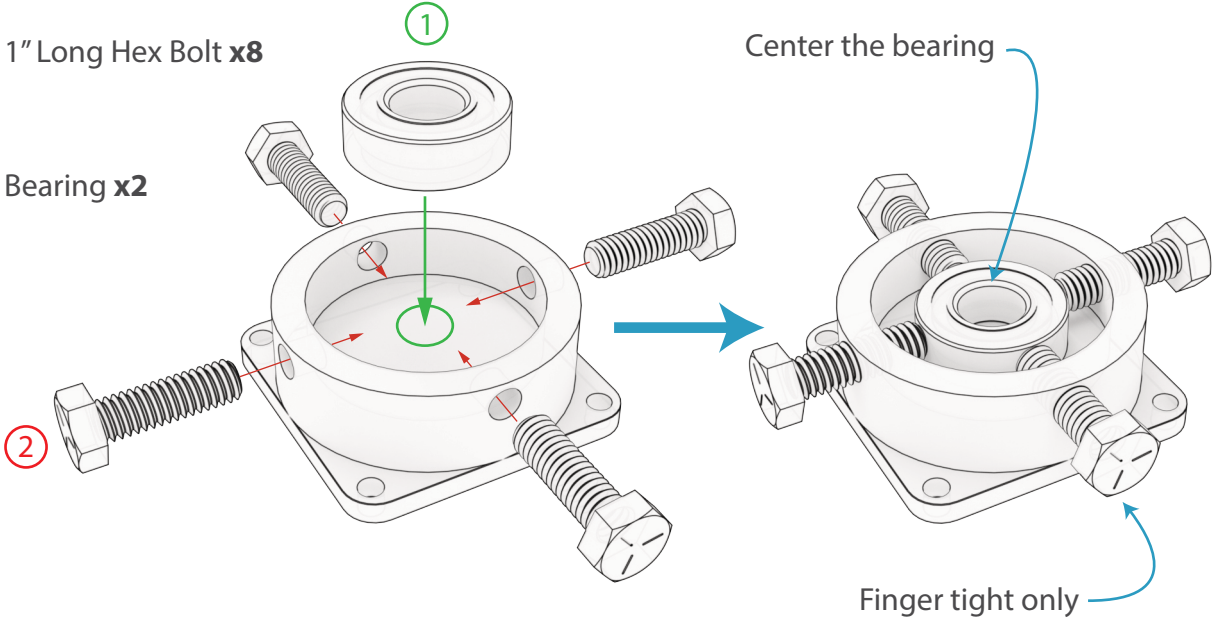
Bearing Seat x2



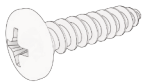
1" Long Hex Bolt x8



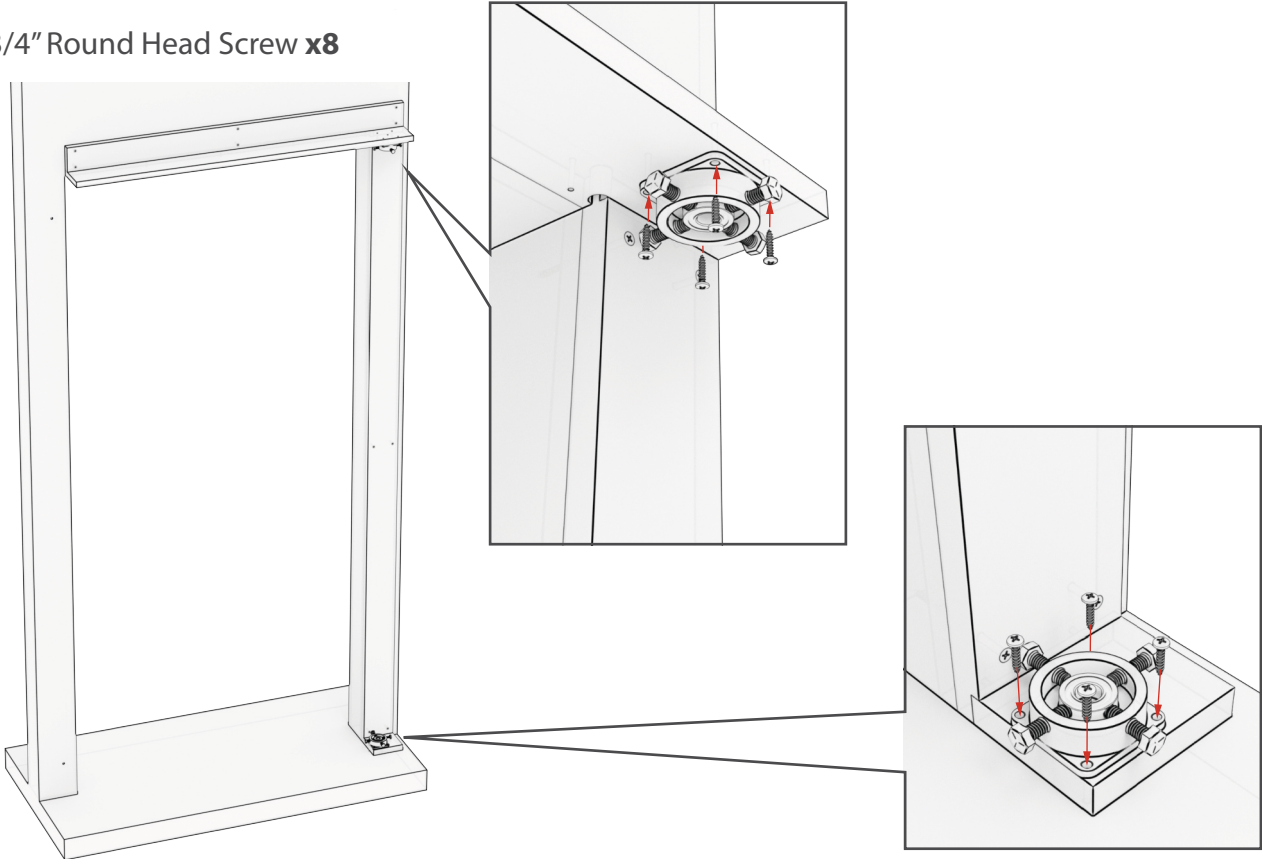
Bearing x2



# S2.F



3/4" Round Head Screw x8




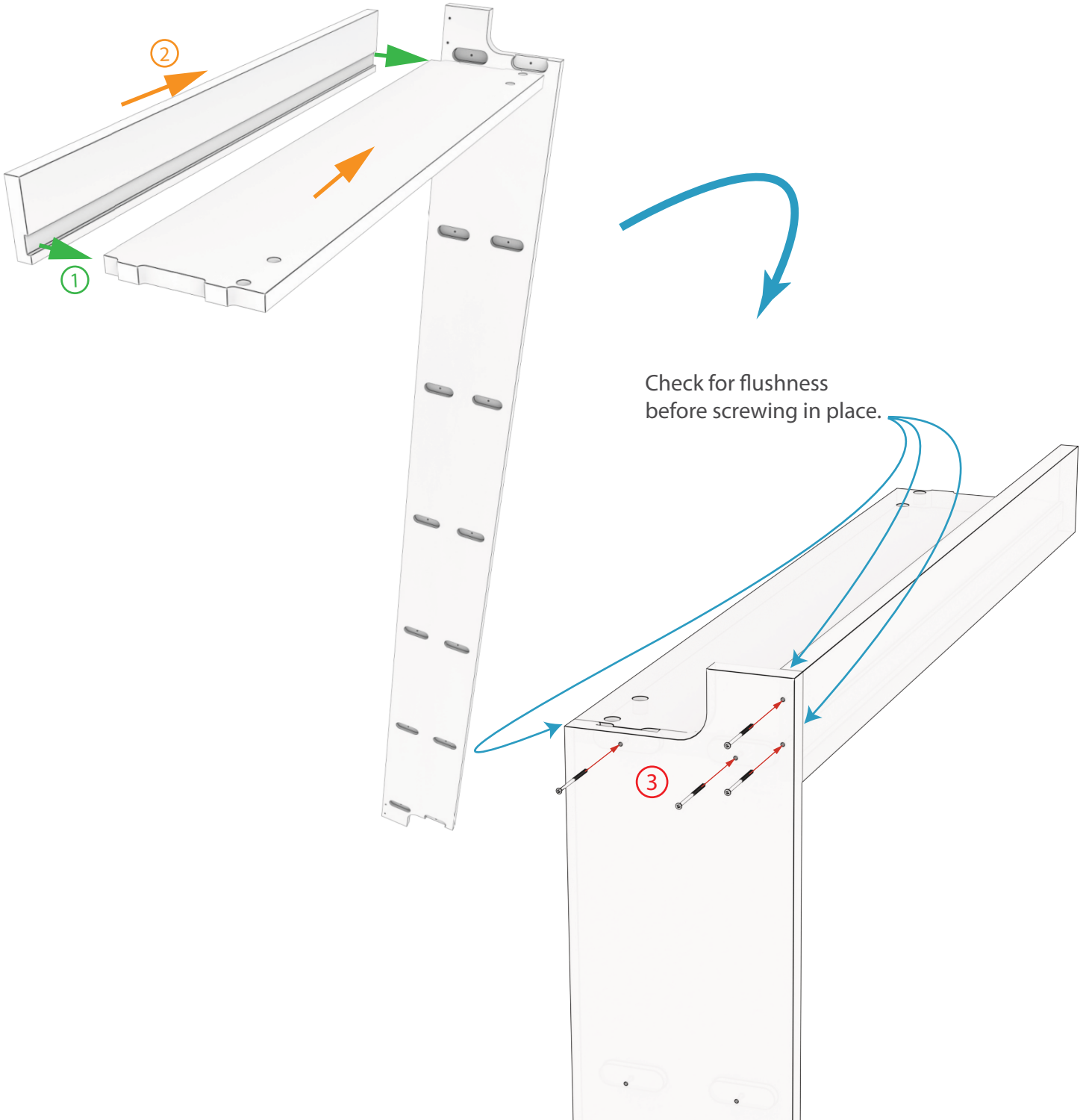


# S3

## Door Assembly

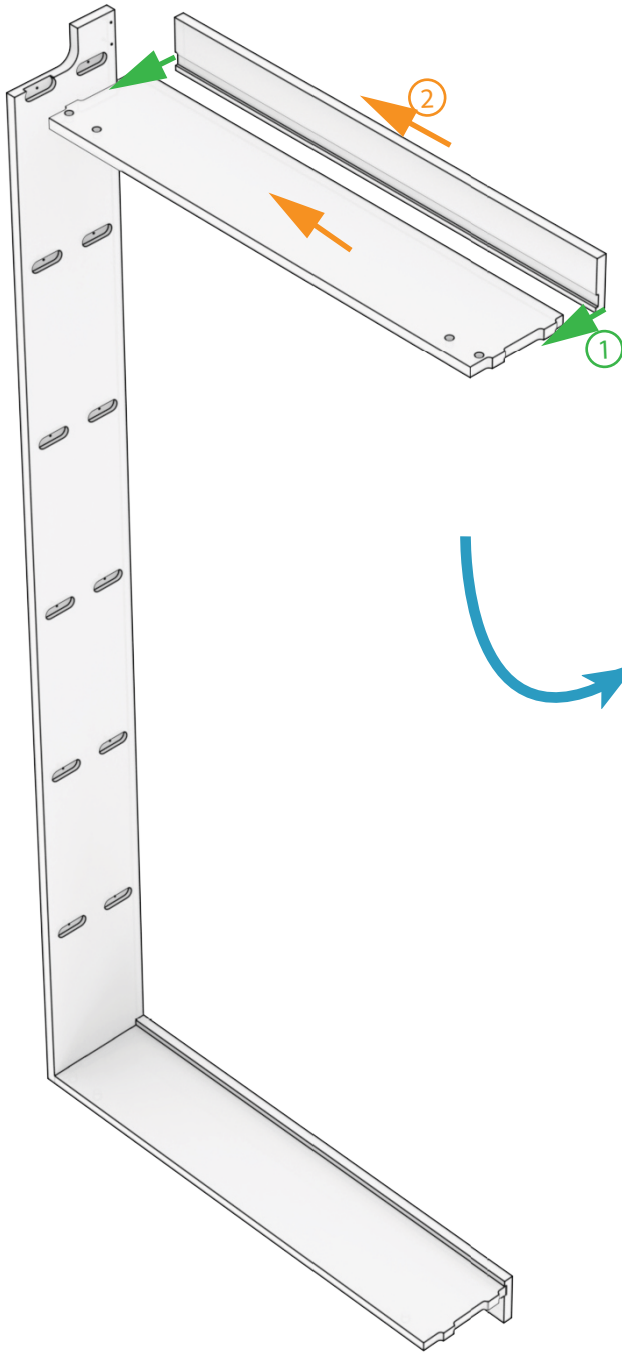
### S3.A

 2-1/4" Finish Screw x4

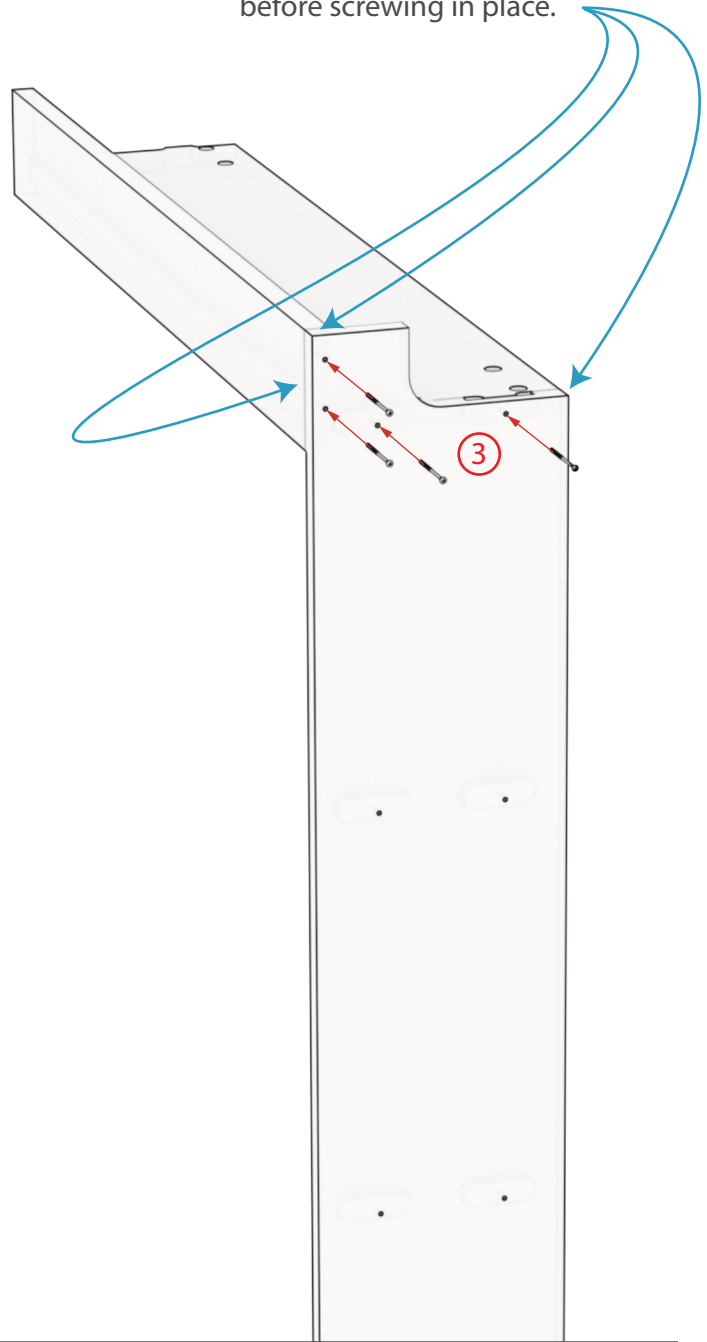


# S3.B

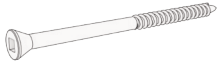
2-1/4" Finish Screw x4



Check for flushness before screwing in place.



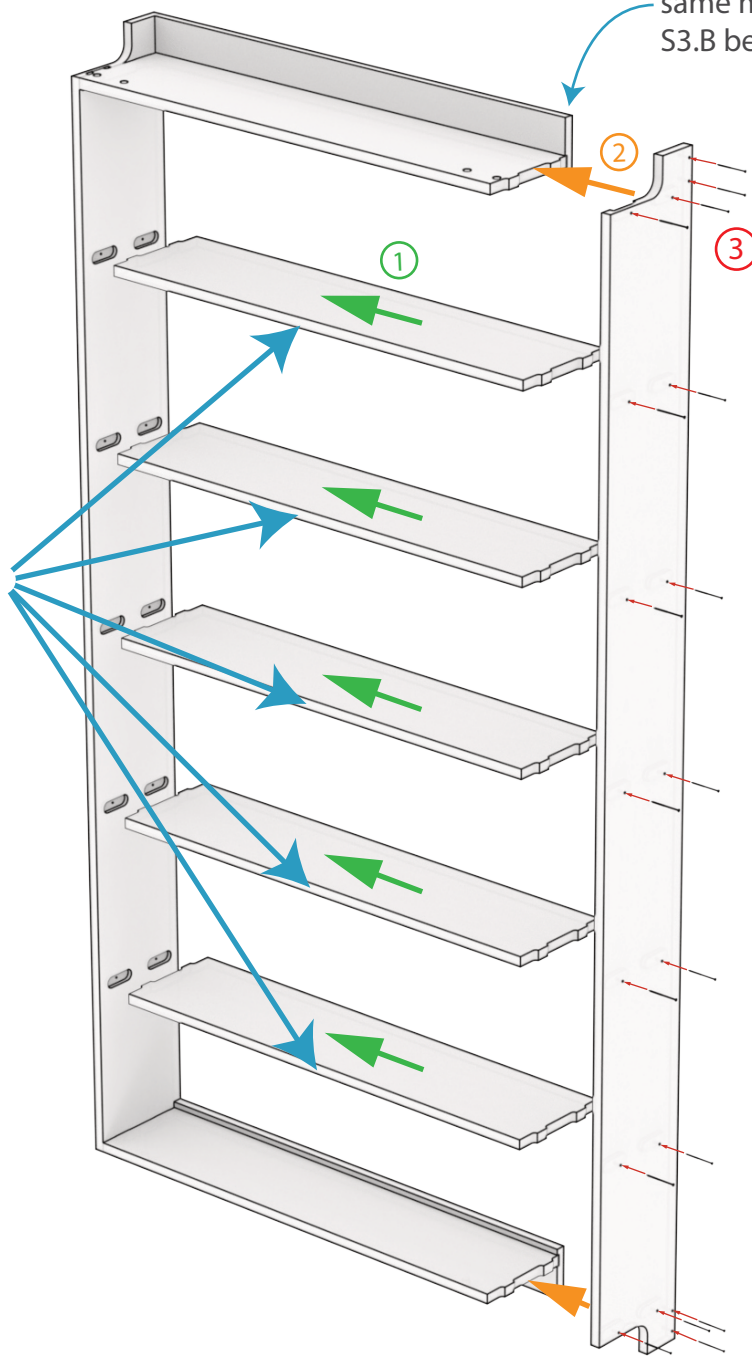
# S3.C



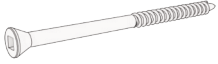
2-1/4" Finish Screw **x18**

Check for flushness in the same manner as done in S3.A and S3.B before screwing in place.

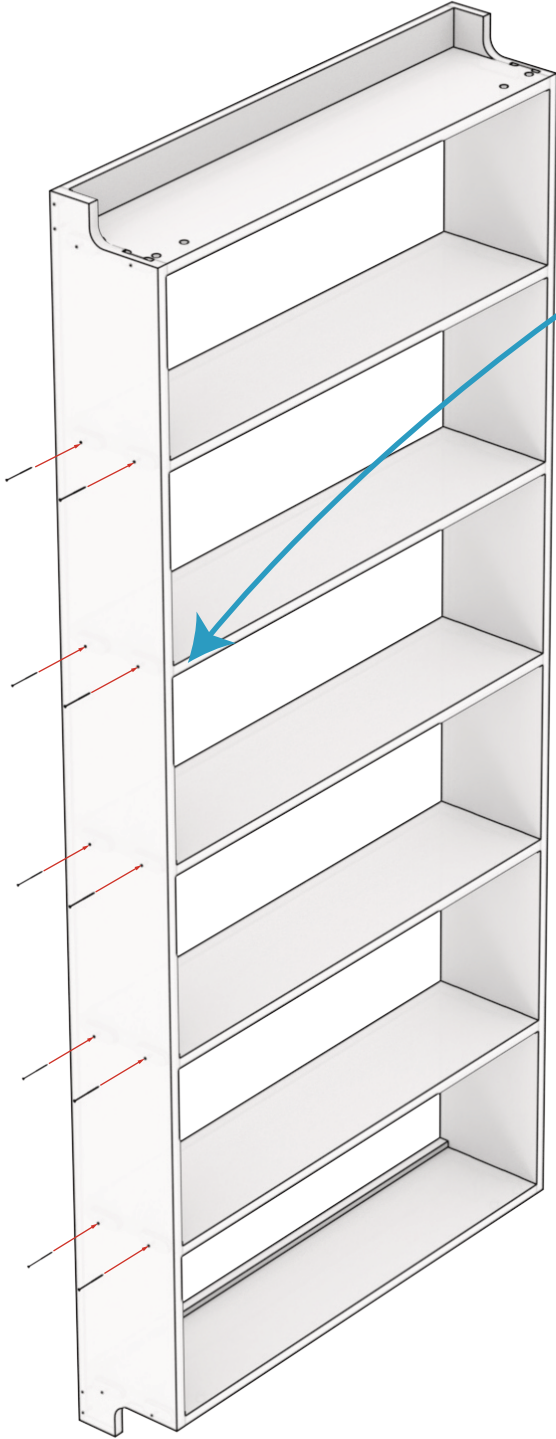
Unfinished edges without edgebanding.  
Flush with adjacent components.



# S3.D



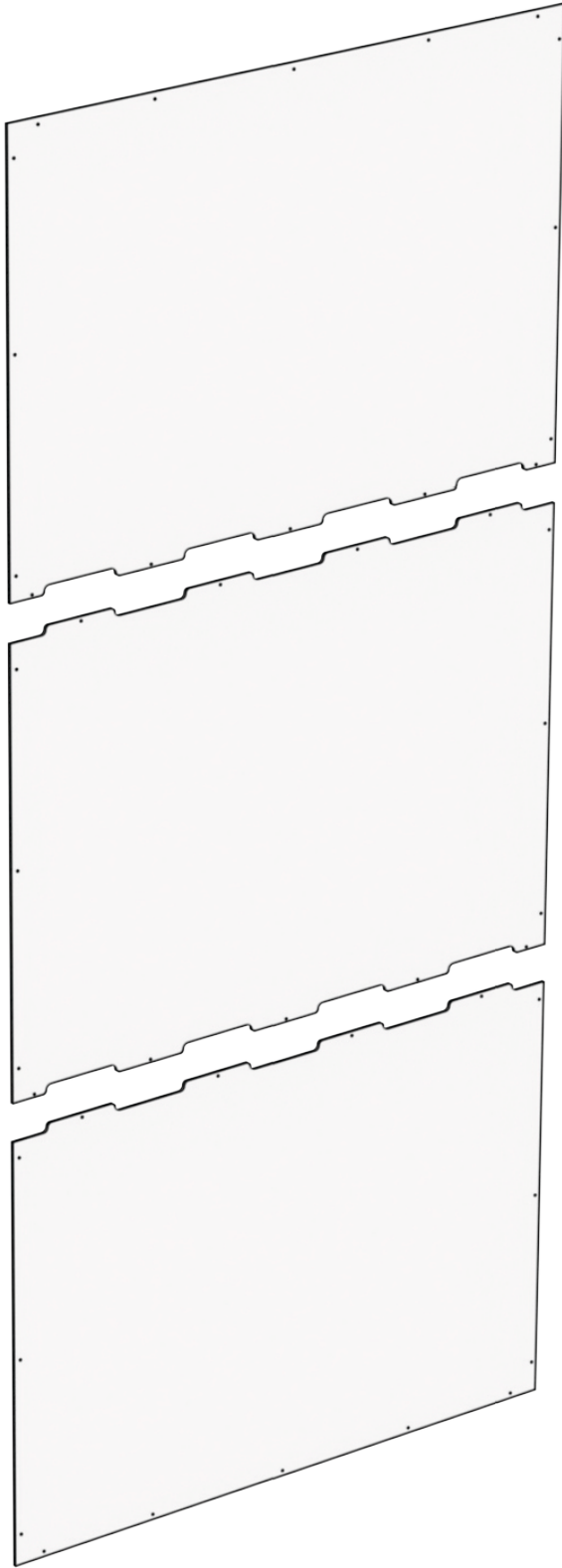
2-1/4" Finish Screw **x10**



Check for flushness between backs of shelves and adjacent components before screwing in place.

# S3.E

---



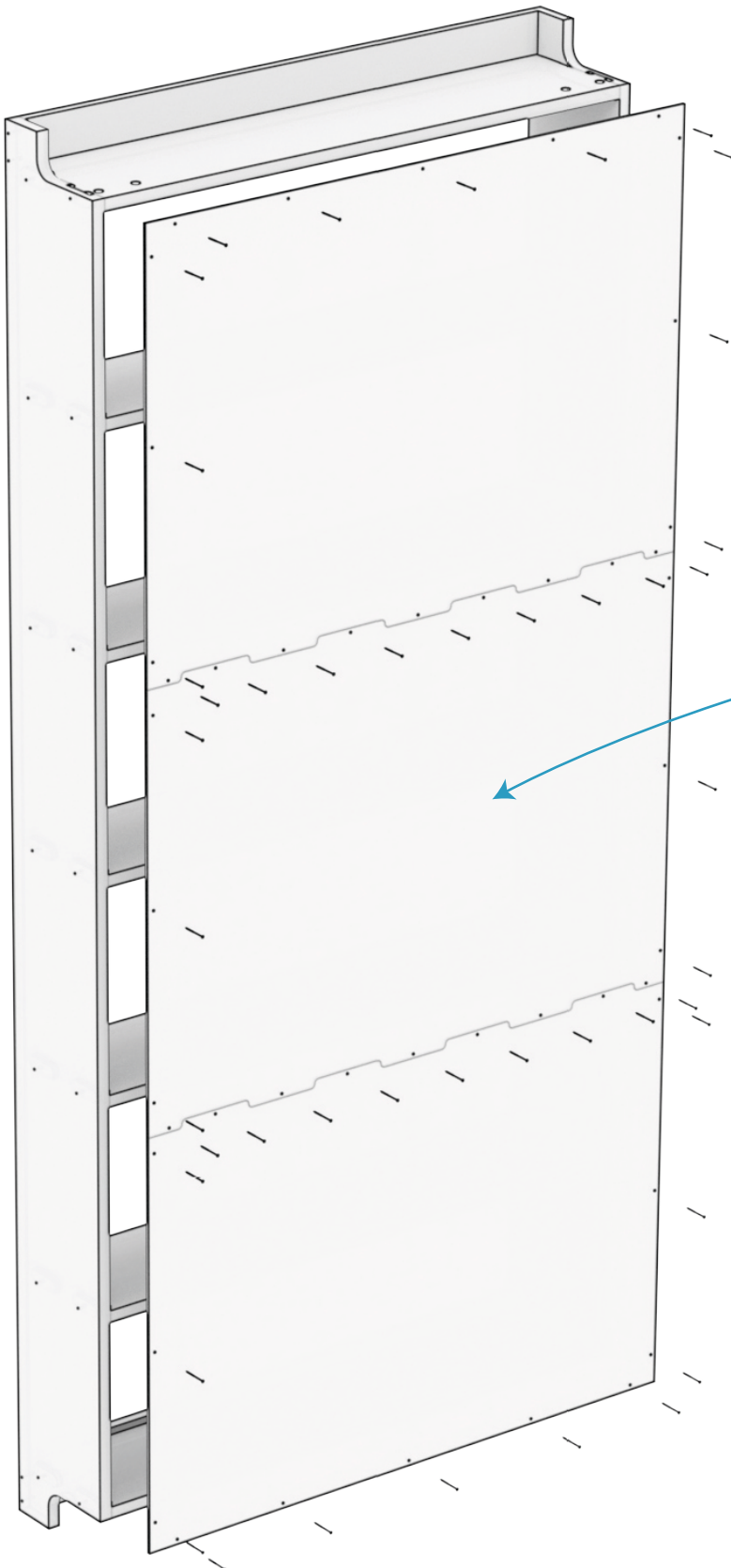
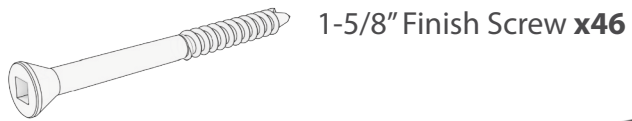
Lay out the back panels paying attention to the interlocking tabs on each panel.

Flip the panels as necessary so that the grain lines appear virtually unbroken across each joint.

Identify which side of the panel assembly is the "A" side. Typically this side will have very few knots or any other imperfections. This side will be your visible side and will be attached to the bookcase so that it is facing the front of the unit. The lower finish side is called the "B" side.

---

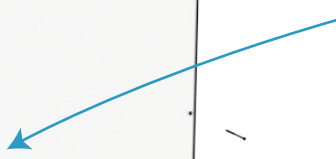
# S3.F



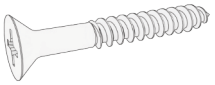
Using the back panels as a guide, square the bookcase frame. The border around the perimeter of the rear panels should be even.

Attach back panels to the bookcase unit being careful not to sink the heads of the finish screws below the surface of the back panels.

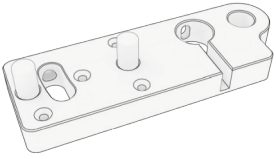
"B" Side towards back of unit.



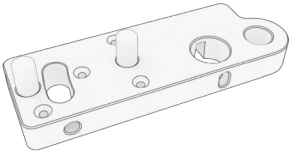
# S3.G



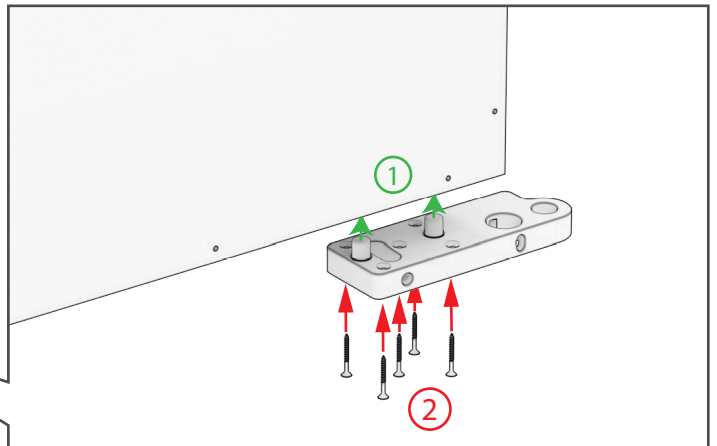
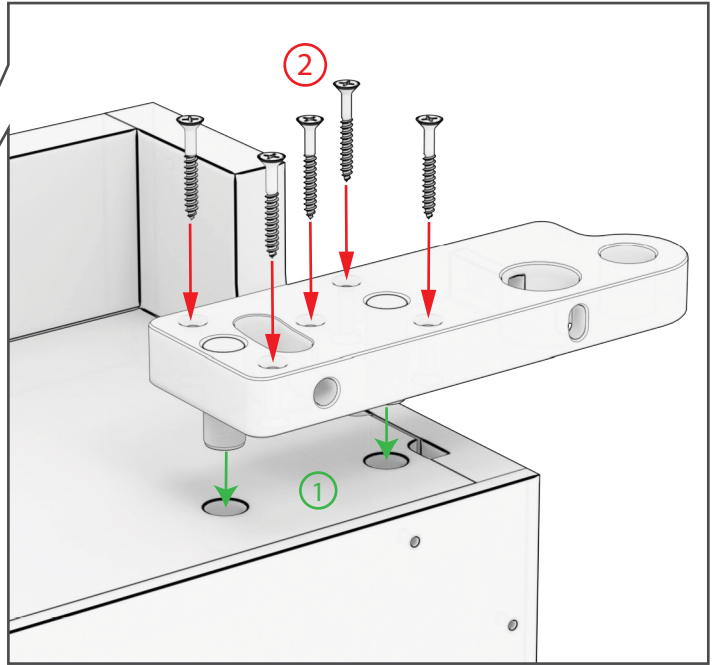
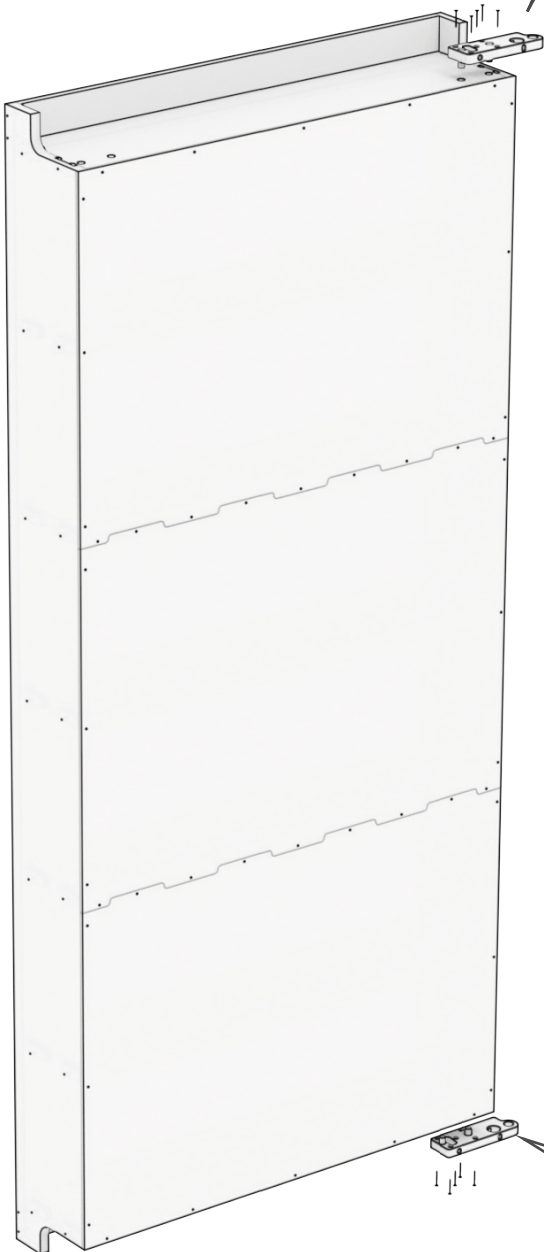
1-1/4" Flat Head Screw **x10**



Hinge Plate A **x1**



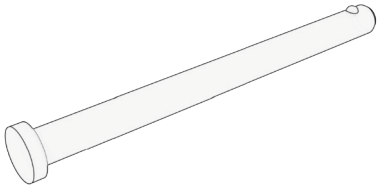
Hinge Plate B **x1**



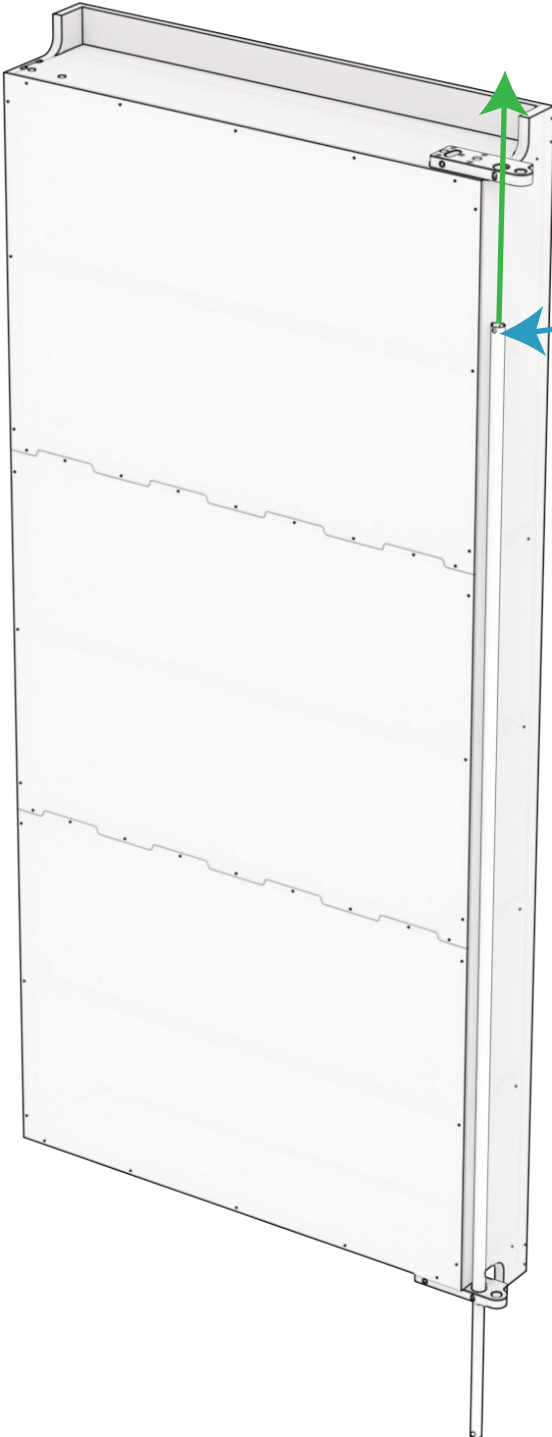


# S3.H

# LEFT HINGED

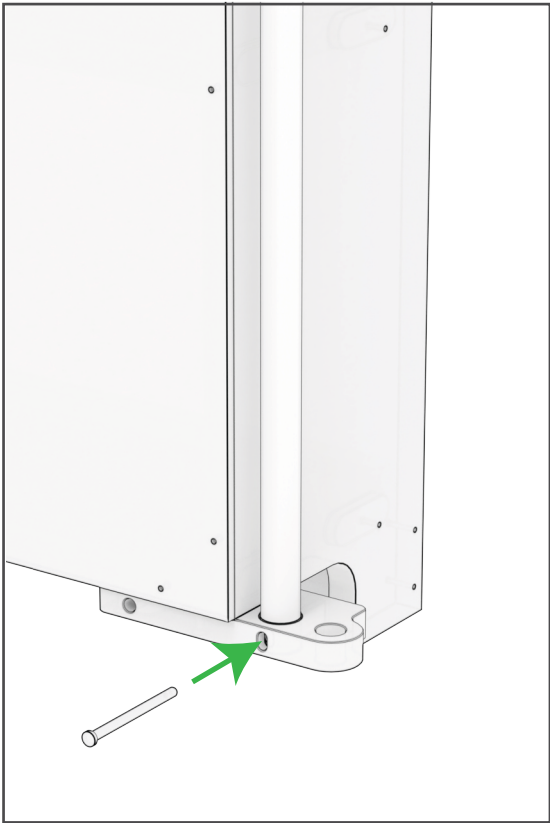


2-3/4" Pin x1



The long metal tube has holes in each end. The end with the hole closer to the edge is the top.

Slide the tube into place through both holes in the hinge plates.

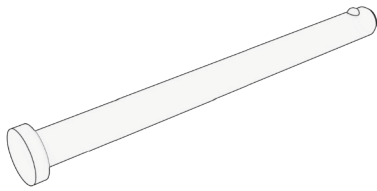


Insert pin into hinge plate and through the tube.



# S3.H

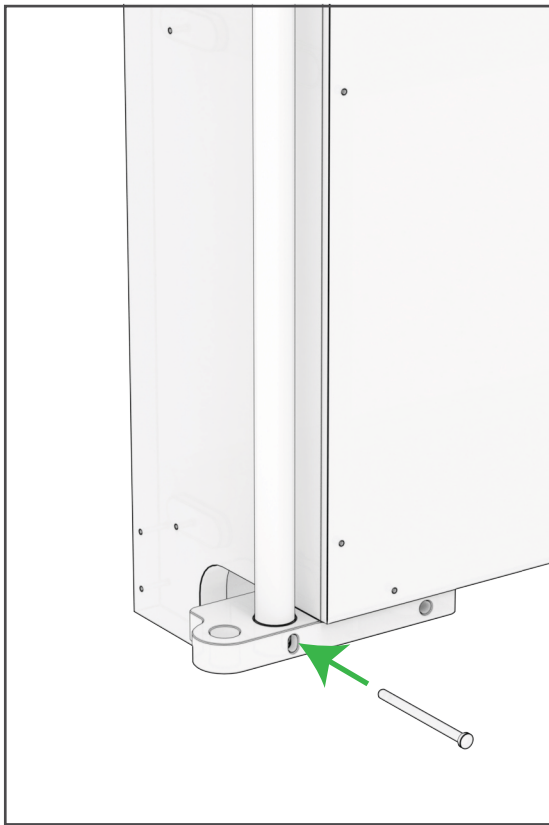
# RIGHT HINGED



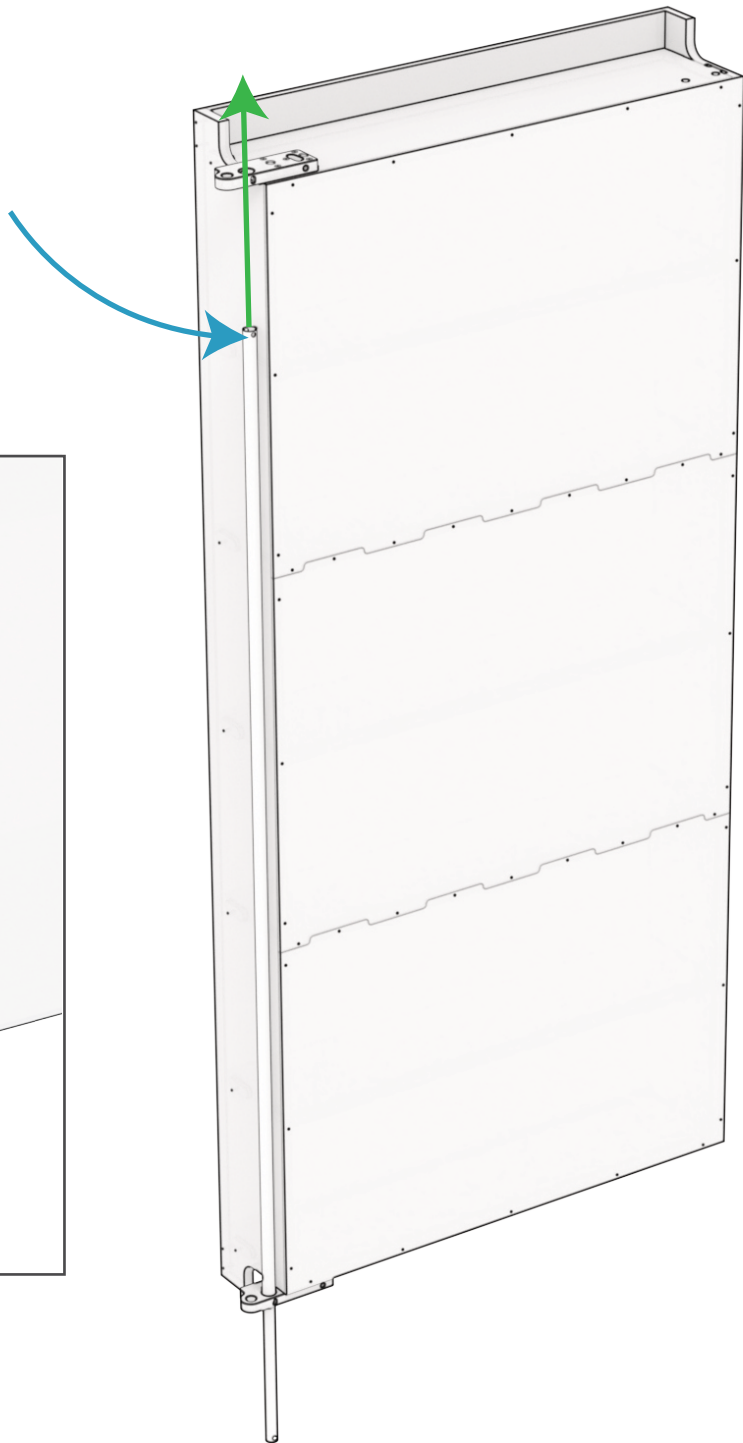
2-3/4" Pin x1

The long metal tube has holes in each end. The end with the hole closer to the edge is the top.

Slide the tube into place through both holes in the hinge plates.



Insert pin into hinge plate and through the tube.



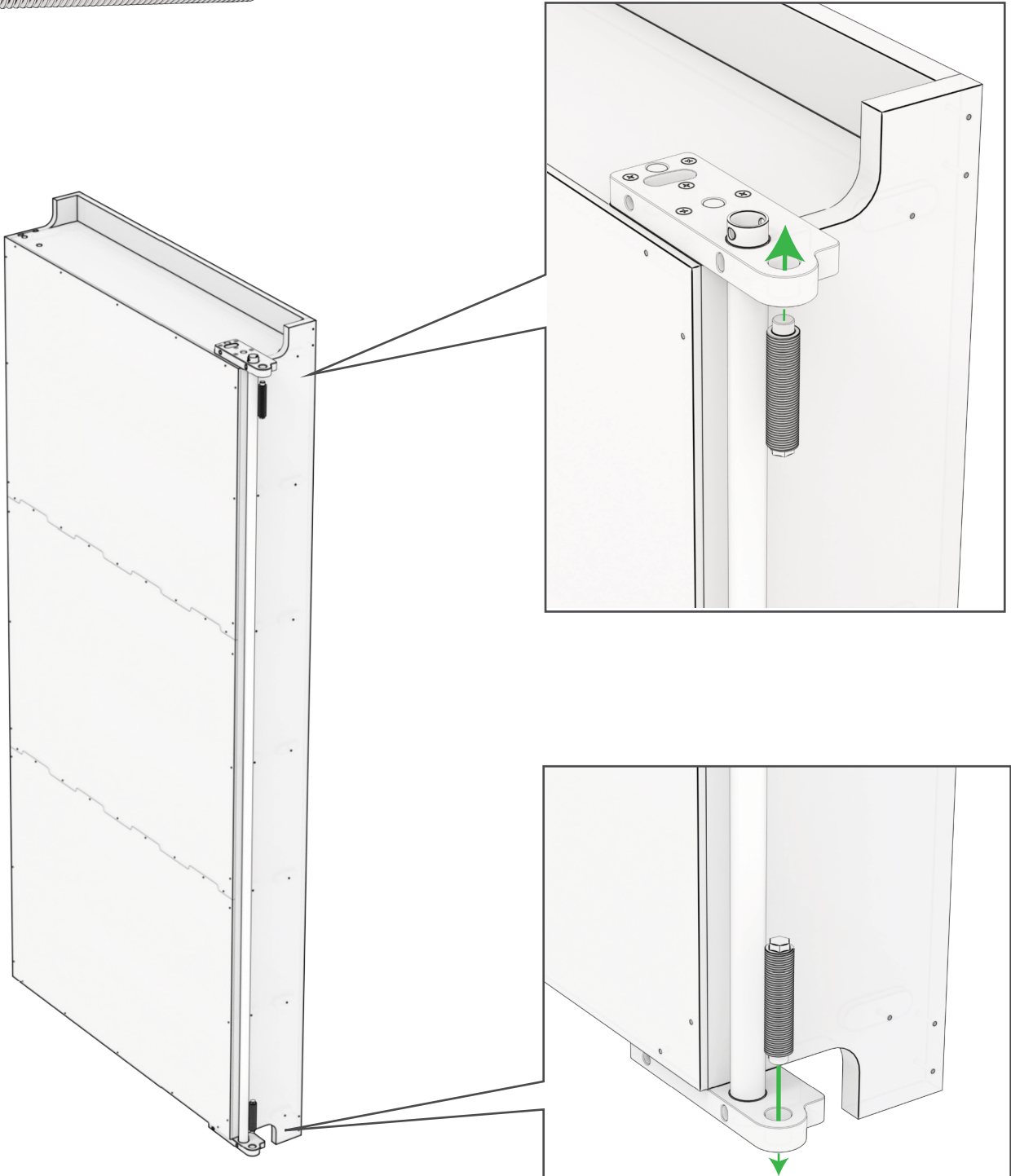
# S4

## Hanging the Door

### S4.A



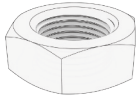
Pivot Shaft x2



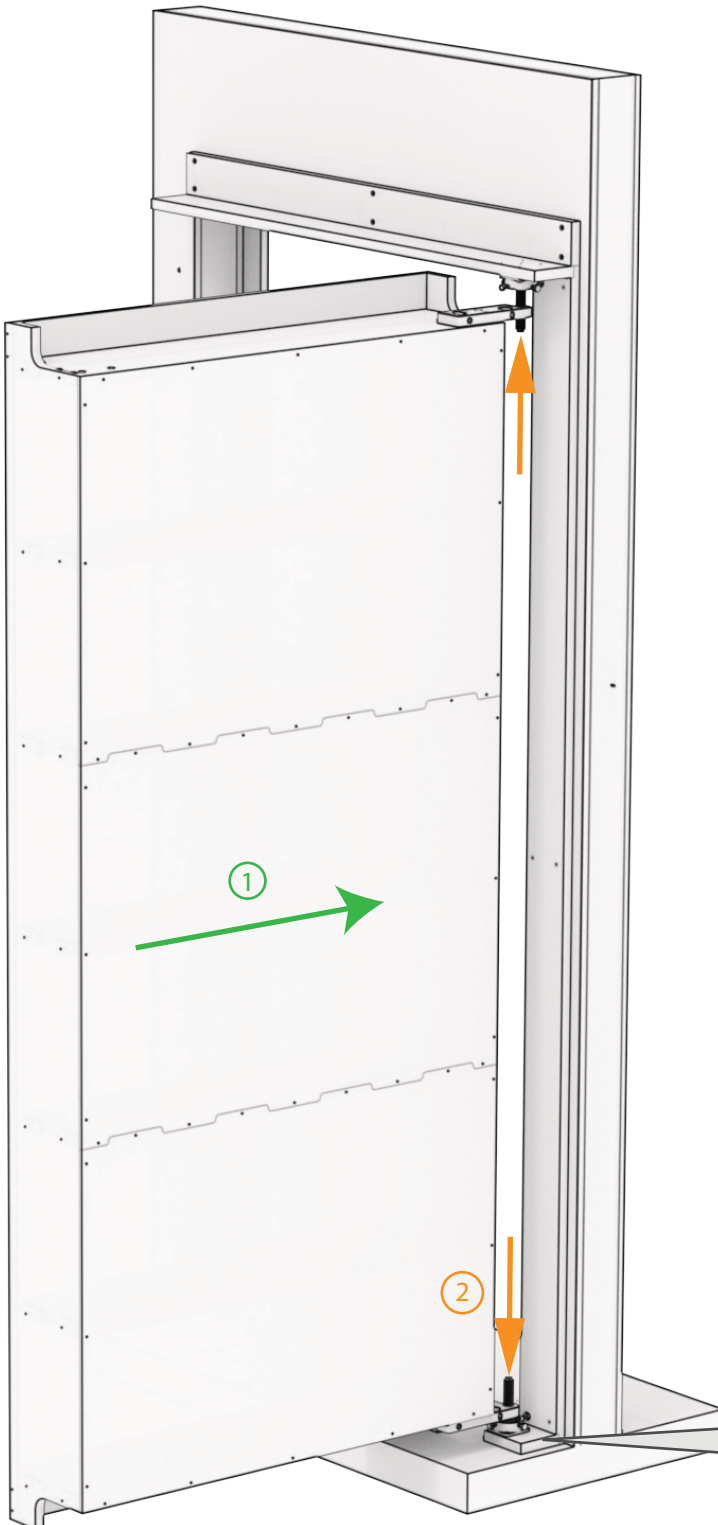
# S4.B



Lock Washer **x2**



Jam Nut **x2**



Slide the bookcase into place between the pivot hinges.

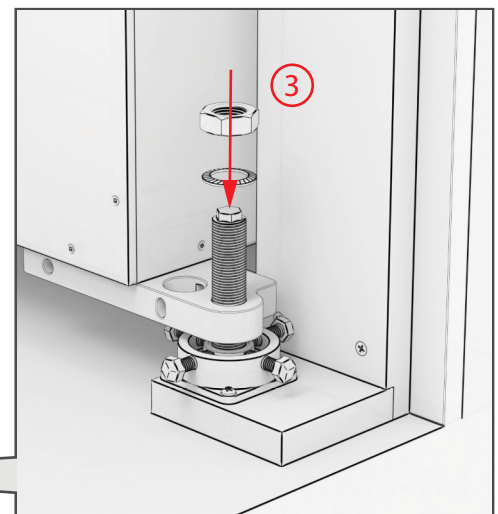
Extend the pivot shafts so that the round ends sit into the bearing at top and bottom.

Retract the upper pivot shaft by two full turns. Extend the lower shaft by two full turns. Repeat this procedure as many times as necessary to achieve a gap of 3/16" between the floor and bottom of the door.

Extending the lower shaft without first retracting the top shaft an equal amount will push the frame apart and can damage the frame.

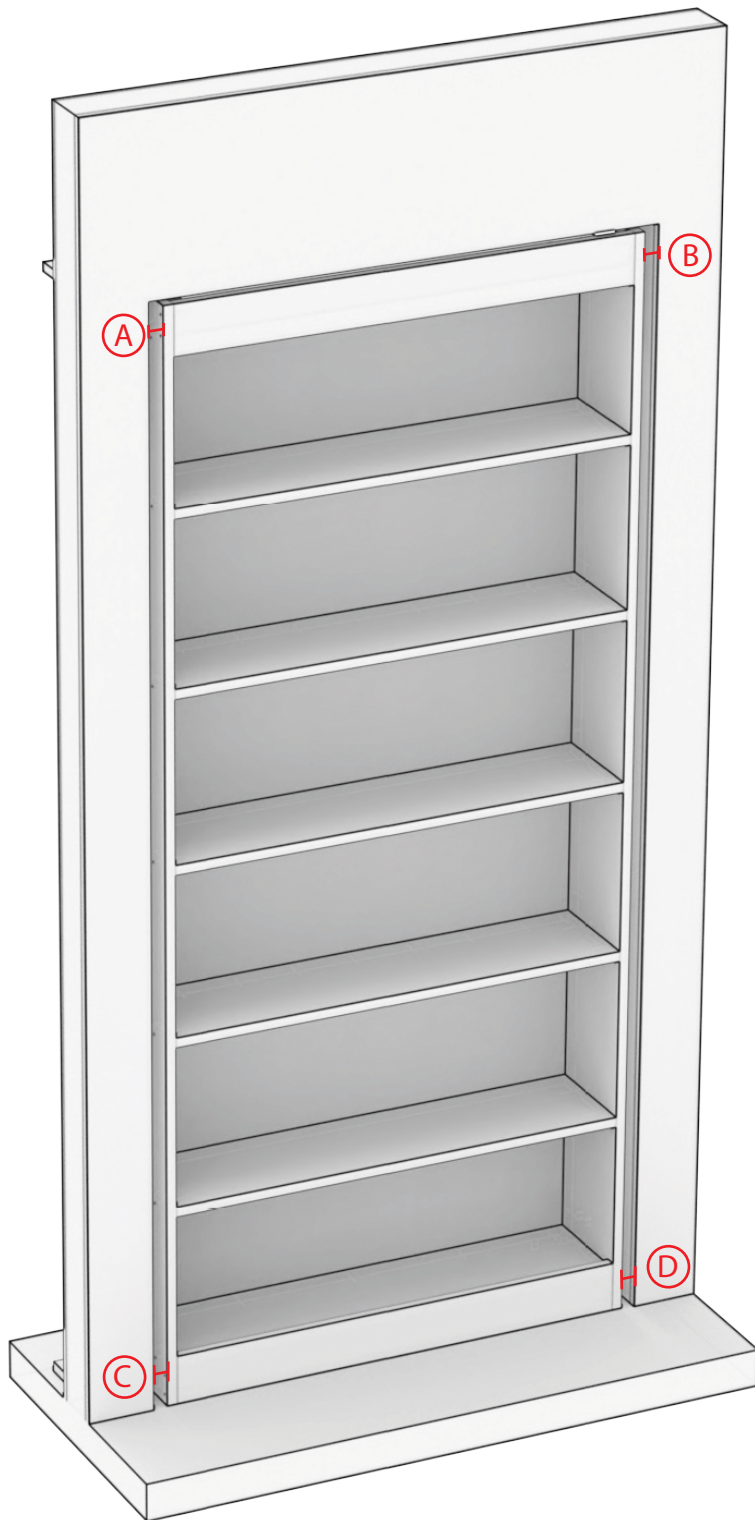
Test that the door can swing over its full range of motion without touching the floor at any point. If it does touch, raise the door further until it no longer does so.

Once you are satisfied with the door's vertical position, lock the shafts in place using the lock washer and jam nut.



Repeat this procedure at the top shaft.

## S4.C



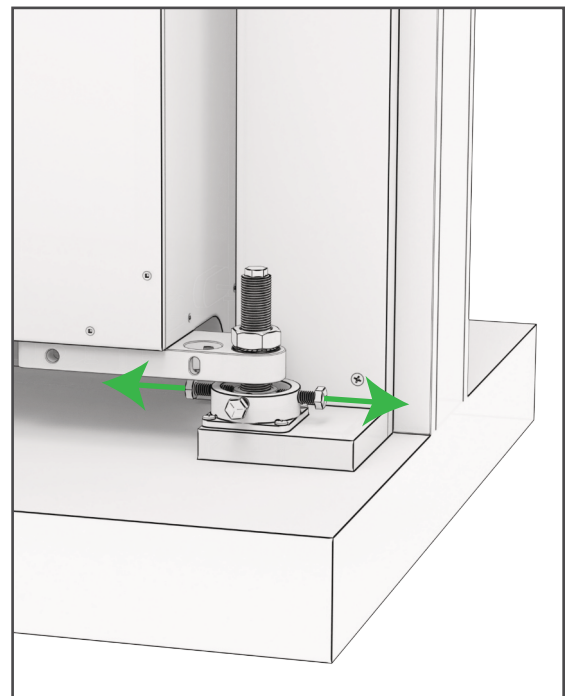
Measure the distance between the sides of the bookcase and the opening in 4 places as shown.

All four measurements should be as close to 1" as possible.

To move the door left and right, loosen the pivot adjustment bolt in the direction you want to move towards. Tighten the opposing adjustment bolt to push the bearing in the desired direction.

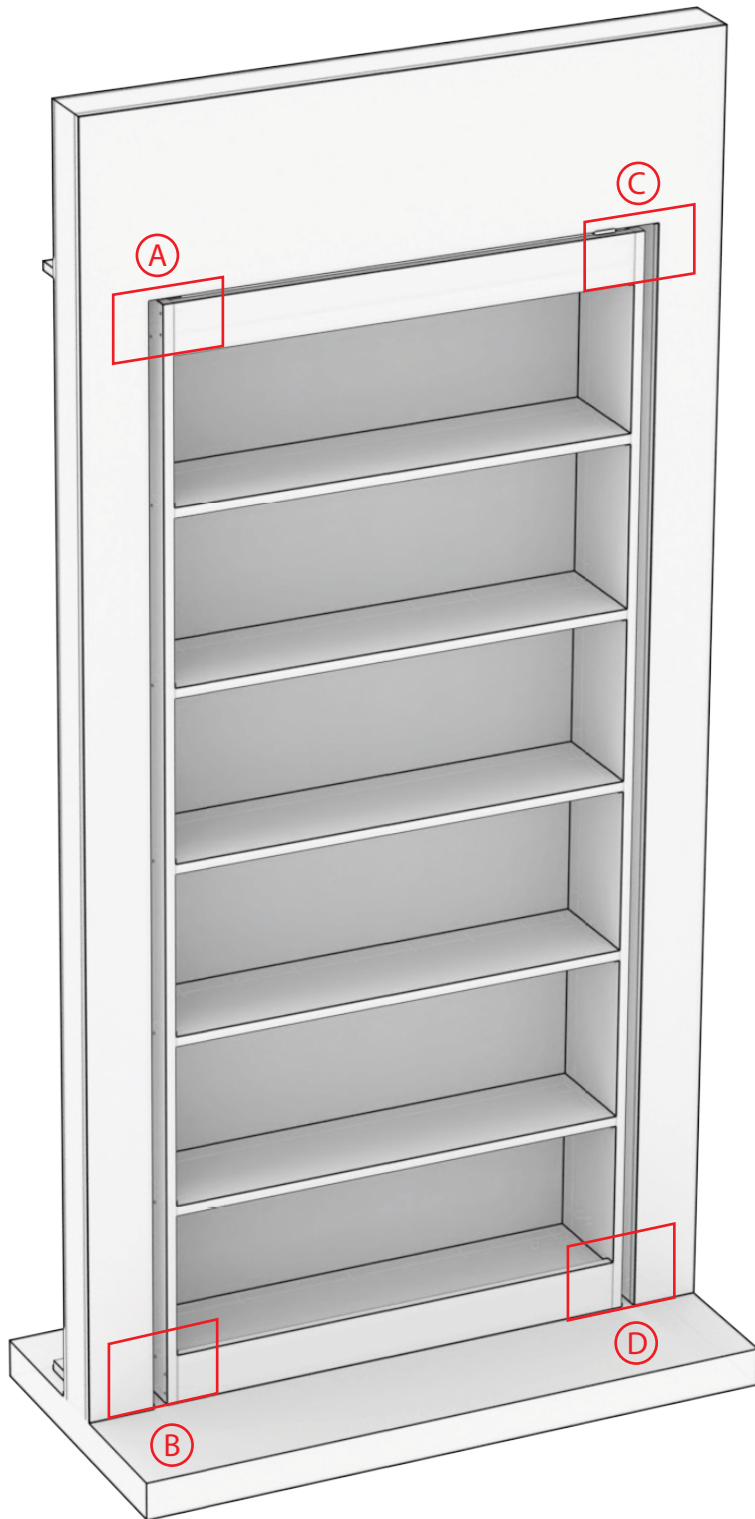
Adjust A and B using the top pivot hinge  
Adjust C and D using the bottom pivot hinge.

After adjustment, snug the bolts against the bearing. Do not overtighten.





# S4.D



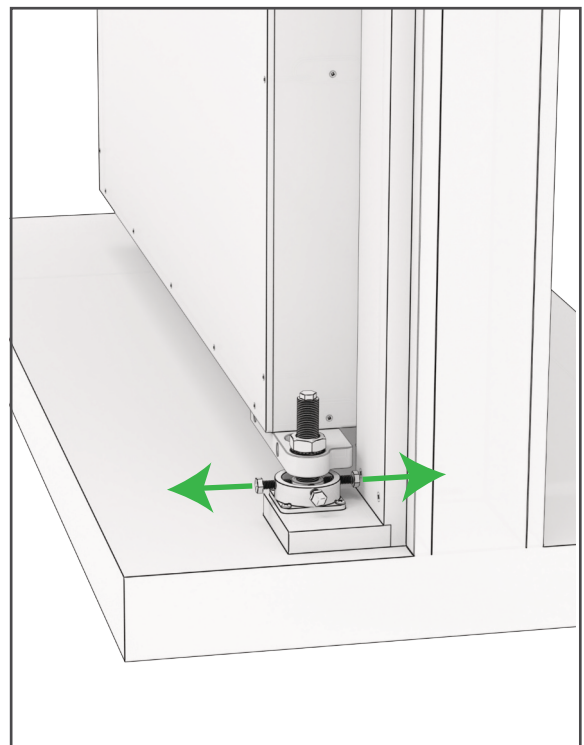
On the hinge side only, confirm that the face of the bookcase and the wall are flush with one another.

Left hinge: inspect at A and B.  
Right hinge: inspect at C and D.

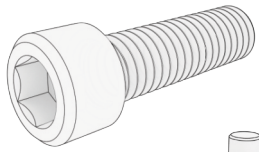
Make adjustments as necessary.

To move the door front and back, loosen the pivot adjustment bolt in the direction you want to move towards. Tighten the opposing adjustment bolt to push the bearing in the desired direction.

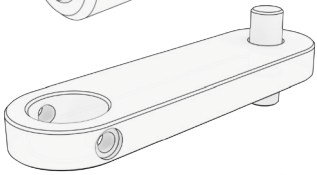
After adjustment, snug the bolts against the bearing. Do not overtighten.



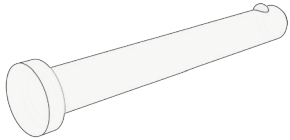
# S4.E



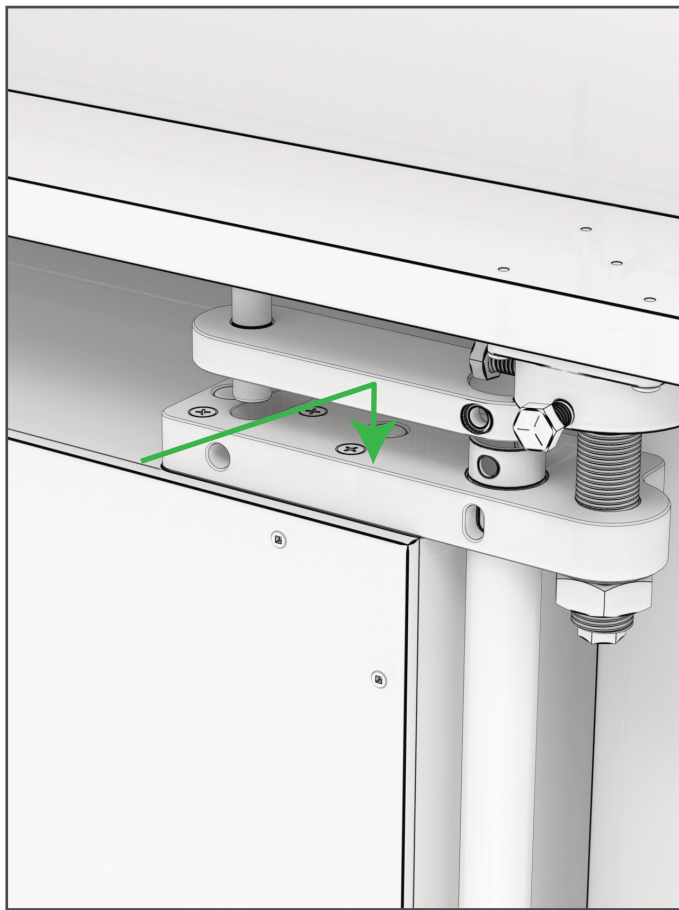
1-1/4" Socket Head Bolt **x1**



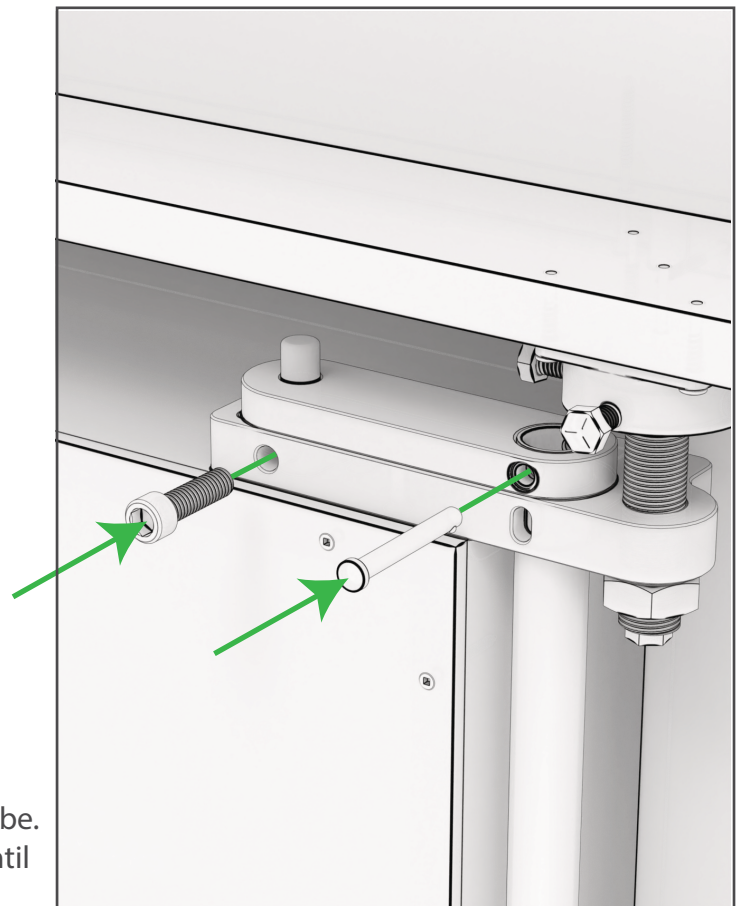
Adjustment Arm **x1**



1-3/4" Pin **x1**

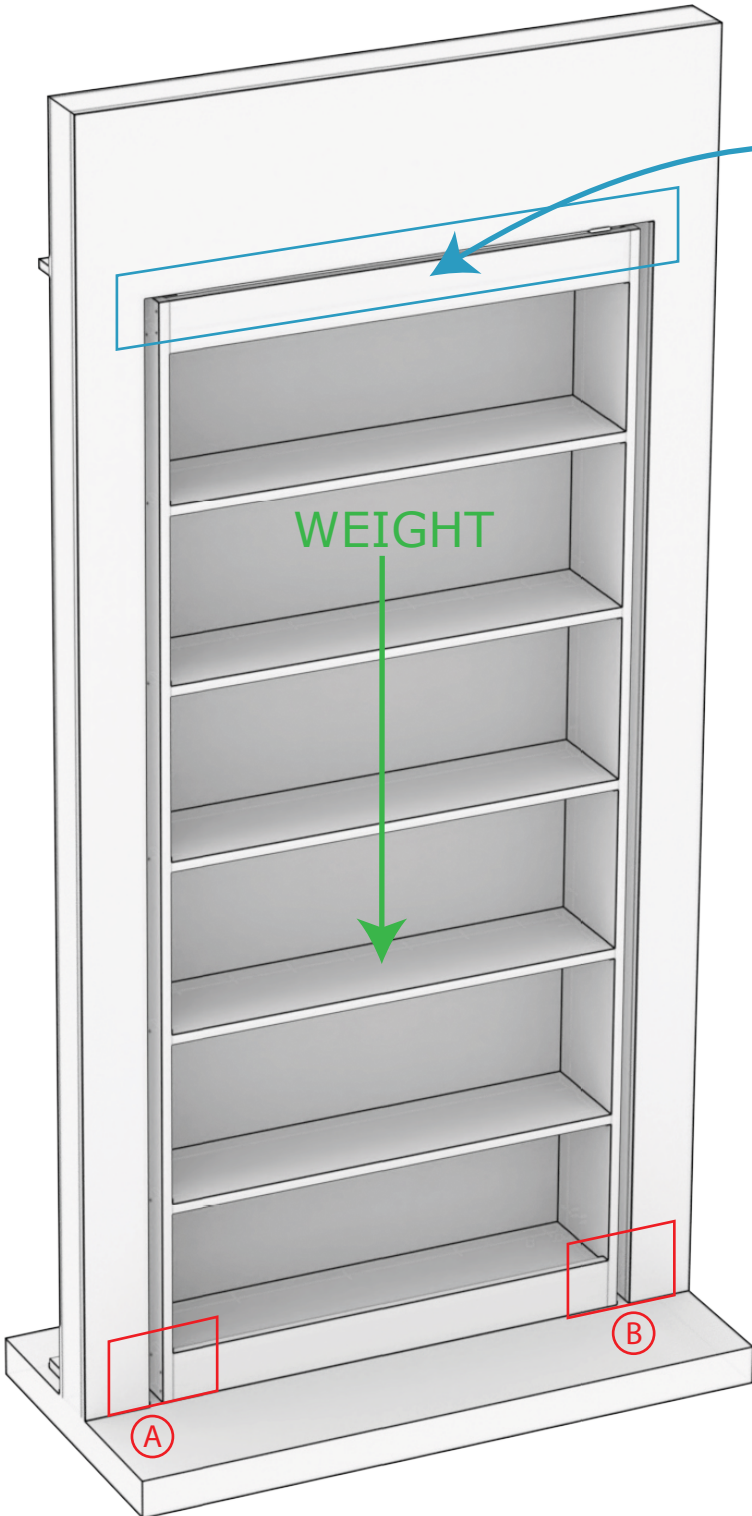


Place the Adjustment Arm over the end of the metal tube and down onto the top of the hinge plate.



Insert pin through the arm and tube. Screw bolt into the hinge plate until it touches the steel pin in the Adjustment Arm.

# S4.F



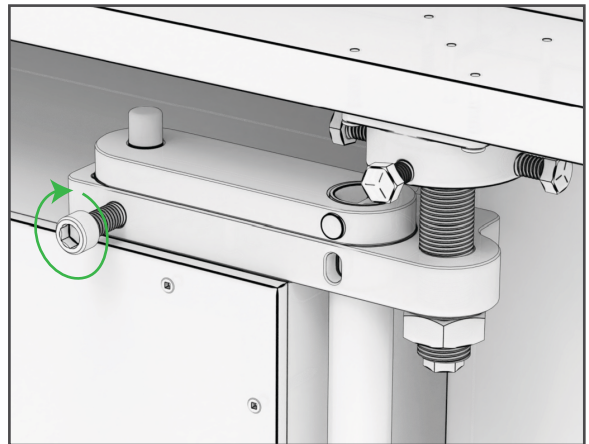
Load bookcase with your complete load of books / other objects on the shelves. 100 LBS MAXIMUM.

Hold the top of the bookcase flush with the surrounding wall.

At the bottom corner on the non-hinge side, determine if the face of the bookcase is proud of the surrounding wall.

Left hinge: inspect at B.  
Right hinge: inspect at A.

If the corner is proud, tighten the adjustment screw one turn at a time until the corner is flush with the wall.

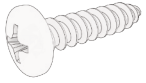




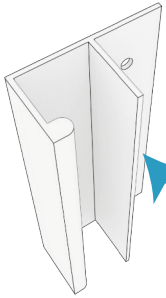
# S5

## Trim and Interior Hardware

### S5.A



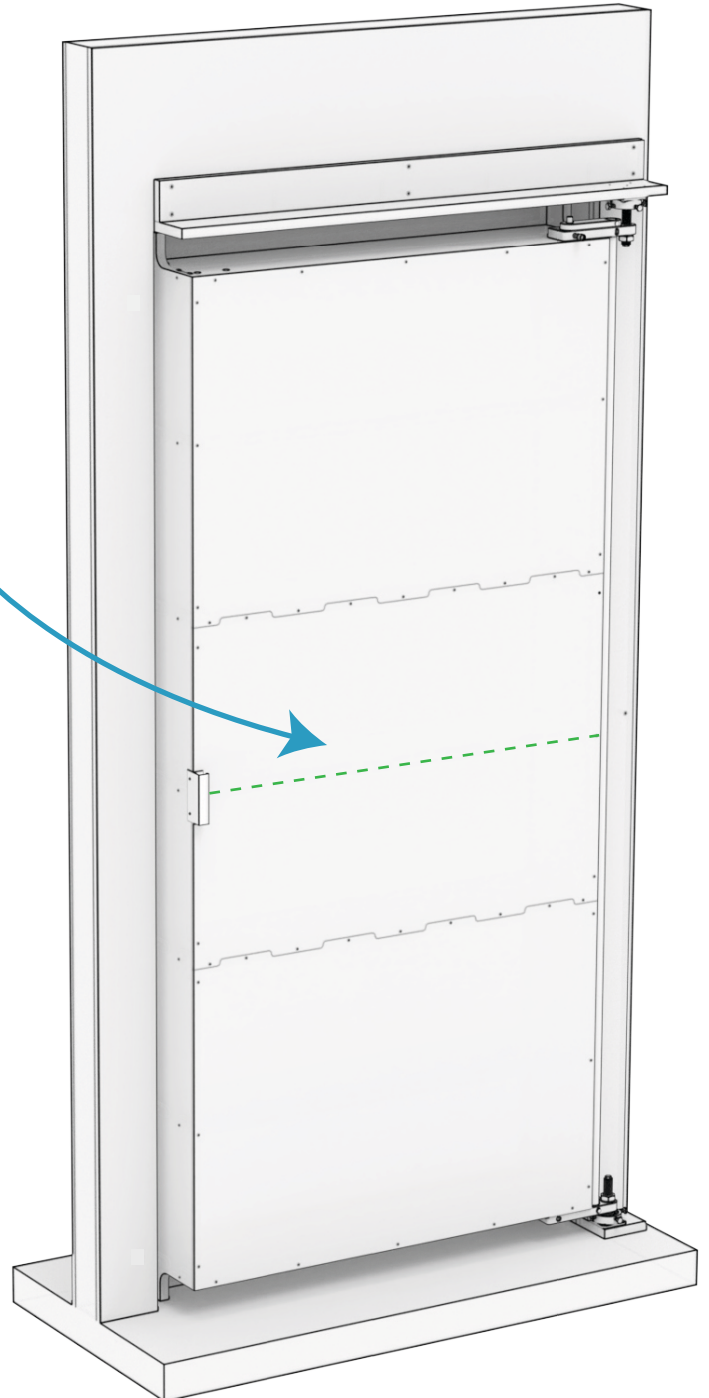
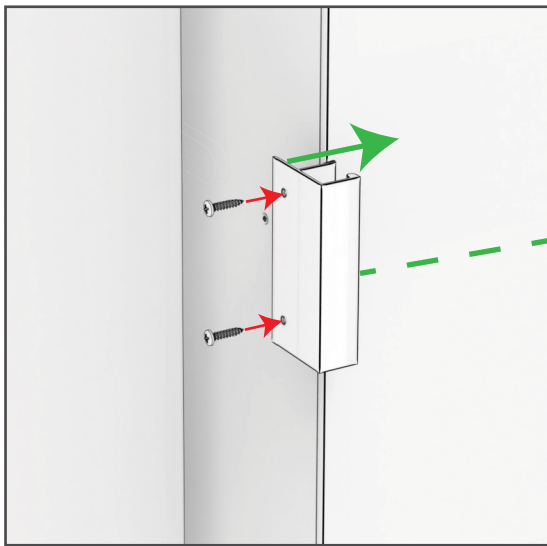
3/4" Round Head Screw **x2**



Handle **x1**

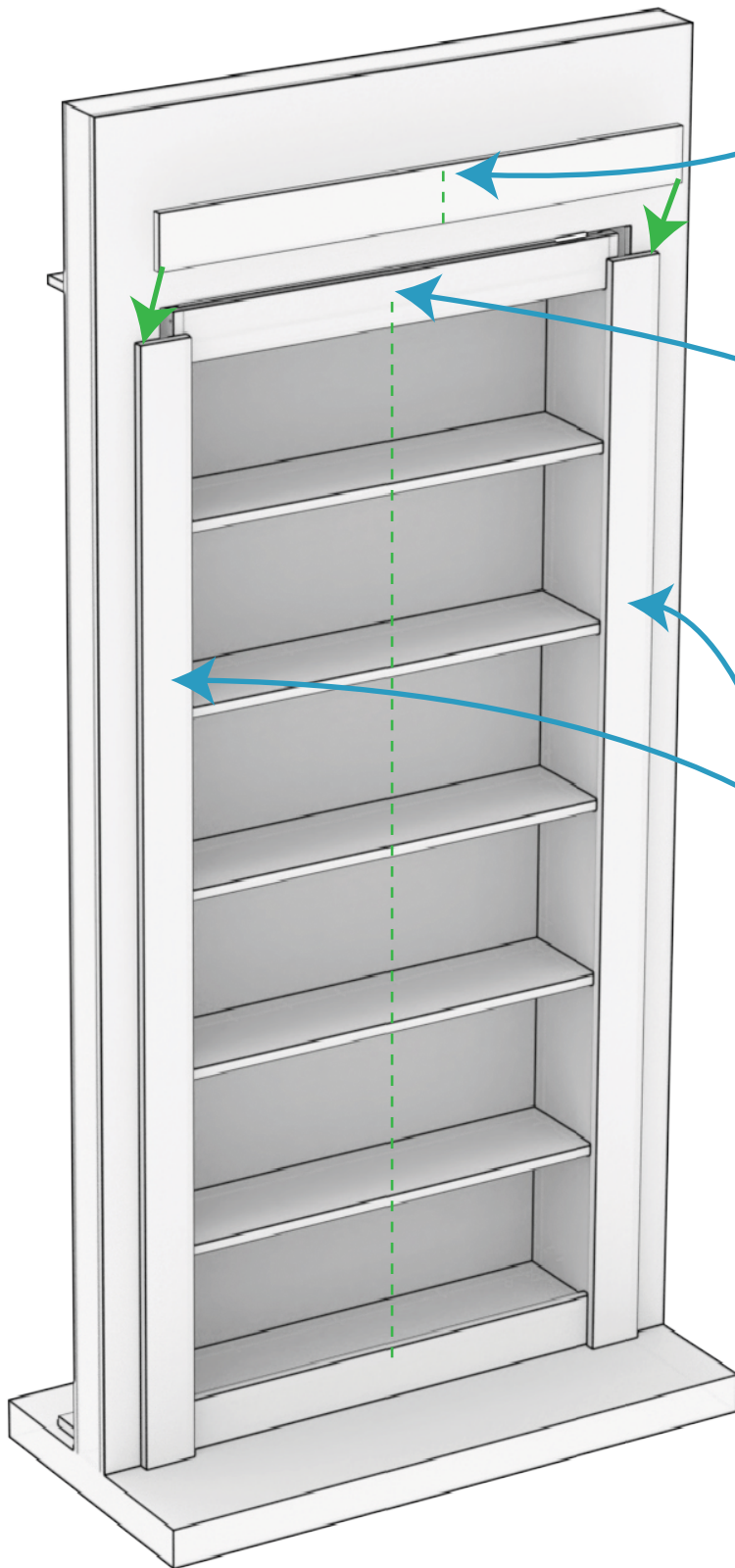
Remove adhesive strip before installation.

Centerline of bookcase.





# S5.B



Make a small mark at centerline of crown.

Make a small mark at centerline of bookcase.

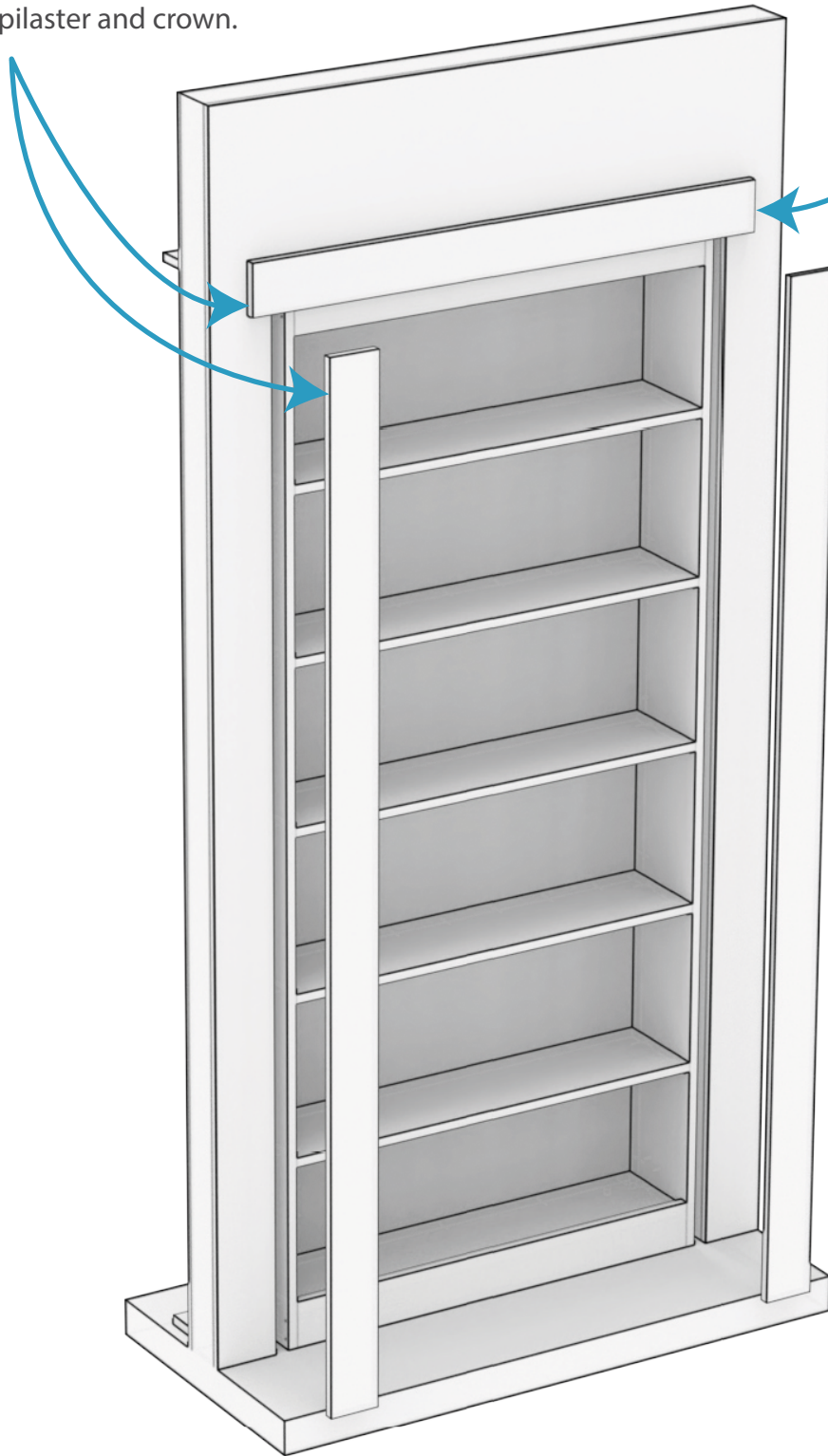
Use the vertical pilasters (not yet attached) as height guides.

Align the center marks on the bookcase and crown. Attach crown to the wall using construction adhesive and either finish nails or brads. Be careful not to get construction adhesive on the face of the bookcase.

# S5.C

Align outer edge  
of pilaster and crown.

Align outer edge  
of pilaster and crown.



Use the crown as a width guide  
and align the outer edges  
of the crown and the pilasters.

Attach pilasters to the wall using  
construction adhesive and either  
finish nails or brads. Be  
careful not to get construction adhesive  
on the face of the bookcase.

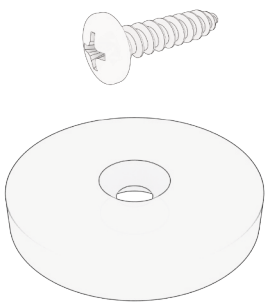
## S5.D

---

Revisit steps **S4.D** and **S4.F**, this time using the back of the crown and pilasters as your reference surface rather than the surrounding walls. Make any final adjustments before continuing.

---

# S5.E



3/4" Round Head Screw **x8**

Round Magnet **x2**



Steel Bracket **x2**

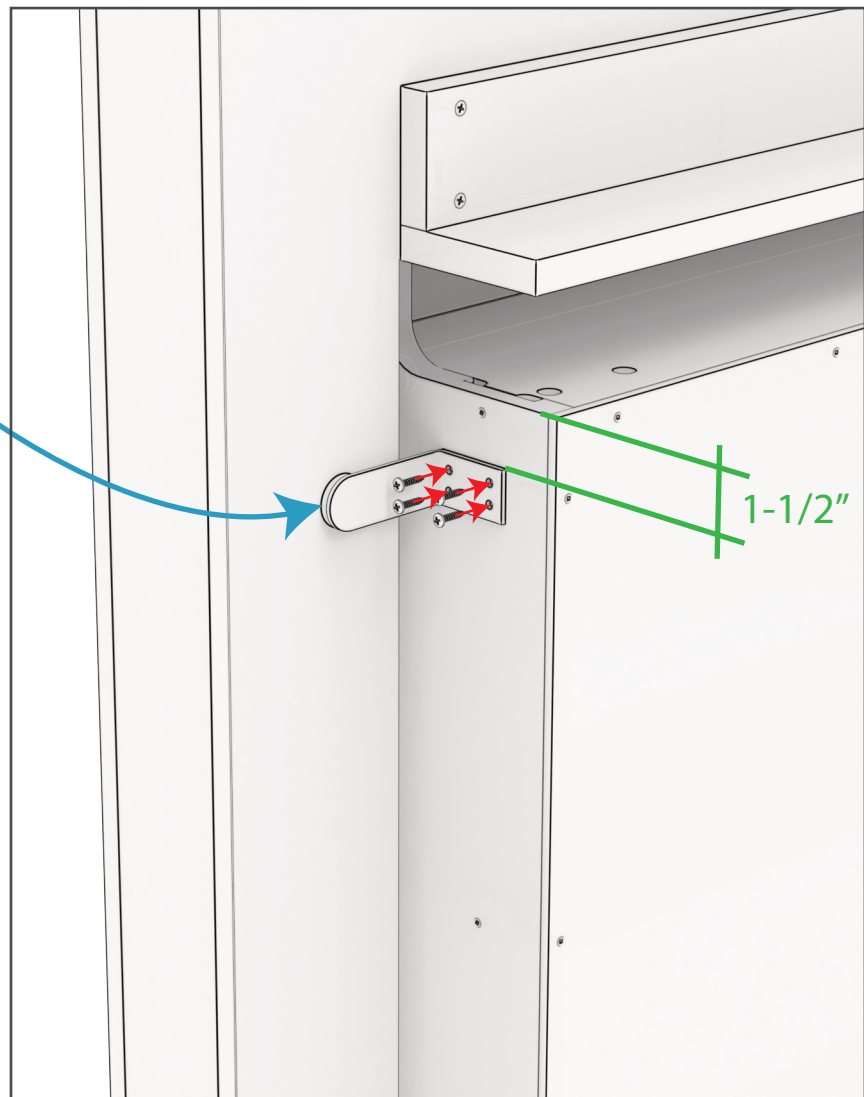
Stick magnet to bracket, aligning the circular features.

With the door closed press the bracket firmly against the wall and side of the bookcase.

Screw bracket to bookcase.

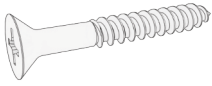
Mark the location of the magnet on the wall with a pencil.

Repeat this procedure at the bottom of the bookcase.



# S5.F

---



1-1/4" Flat Head Screw **x2**

Screw magnets to the wall. Your wall may require the use of an anchor depending on the location of your studs.

