

## General Information

A secret wine rack door will perfectly hide the entry to your basement, study, man cave, or any other room hidden room.

Our extensive experience and industry leading hardware provides superior concealment, security and quality.

## Features

- Two year warranty on parts and materials. Longest in the industry.
- Pre-hung and tested. No wiring or assembly required.
- Extensive customization options.
- Locking system comes standard. Compatible with our unique secret switches.
- Unlimited phone and video support. Expert advice and support before, during, and after installation.



## Available Options

- Style: Freestanding or Built-In
- Wood Species: See “Materials” section
- Finishes: See “Finishes” section
- Sizing: Customizable up to 48”W, 94”T
- Swing Direction: In or Out
- Hinge Side: Left or Right
- Cabinet Doors: Shaker, Slab, Glass Panel
- Crown: Flat or Traditional
- Wireless Switches: Book, Keypad, Fob, etc.
- Power method - Battery or AC wall power
- Automatic Opening Function

## Additional Customization

If you require additional customization beyond what is available on our website, please contact us for availability and a no-obligation price quote.

Phone: 480-926-1742

Email: [contact@hiddendoorstore.com](mailto:contact@hiddendoorstore.com)

## Materials



### American Hard Maple

Recommended for painted finishes.



### Clear Alder

Recommended for painted or stained finishes.

## Finishes



### Unfinished: *Apply your own finish*

Sanded and ready to accept a finish.



### Stained: *Light, Medium, Dark, Match*

Hand applied stain with sprayed satin topcoat.



### Painted: *White, Gray, Black, Match*

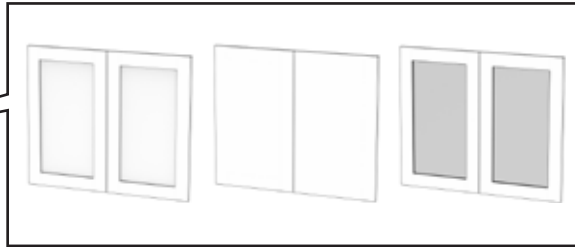
High quality precatalyzed lacquer.

## Shelf and Door Details



Each shelf holds 4 standard bordeaux style wine bottles.

Eight shelves are provided. Additional shelving can be ordered upon request.



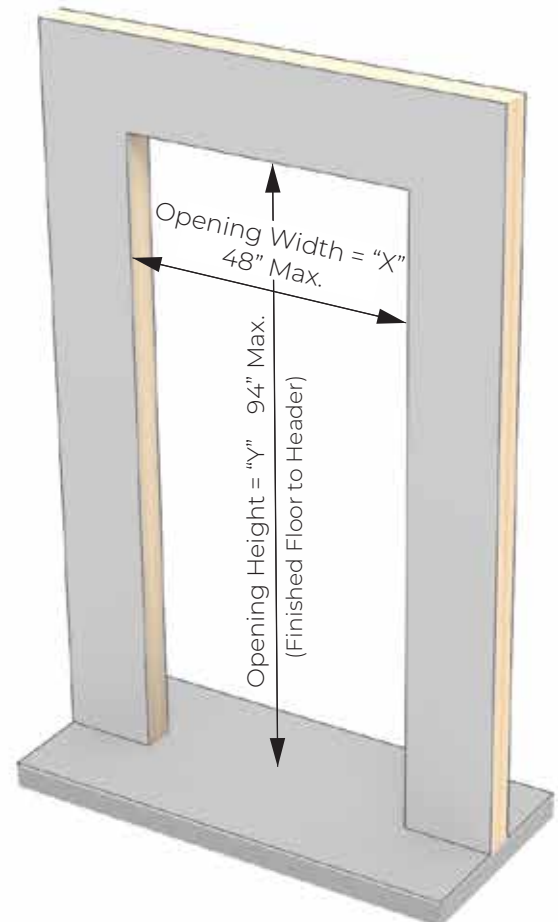
Cabinet doors are available as an option in the following styles: Shaker, Slab, Glass Panel. One shelf is provided for installation behind the doors and is 7 1/2" deep.

## Wall Condition Requirements

The door must be installed in a wall opening that is plumb and level. The floor must be a hard surface (IE, concrete, wood, tile) and free of humps or bellies.

It is also recommended to use a level on the face of the wall surrounding the opening and verify that the surfaces are flat.

**NOTE:** The final quality of the concealment and function of the door depends heavily on the quality of the door opening. For best results, correct any wall or floor issues before beginning your installation.



## Key Dimensions

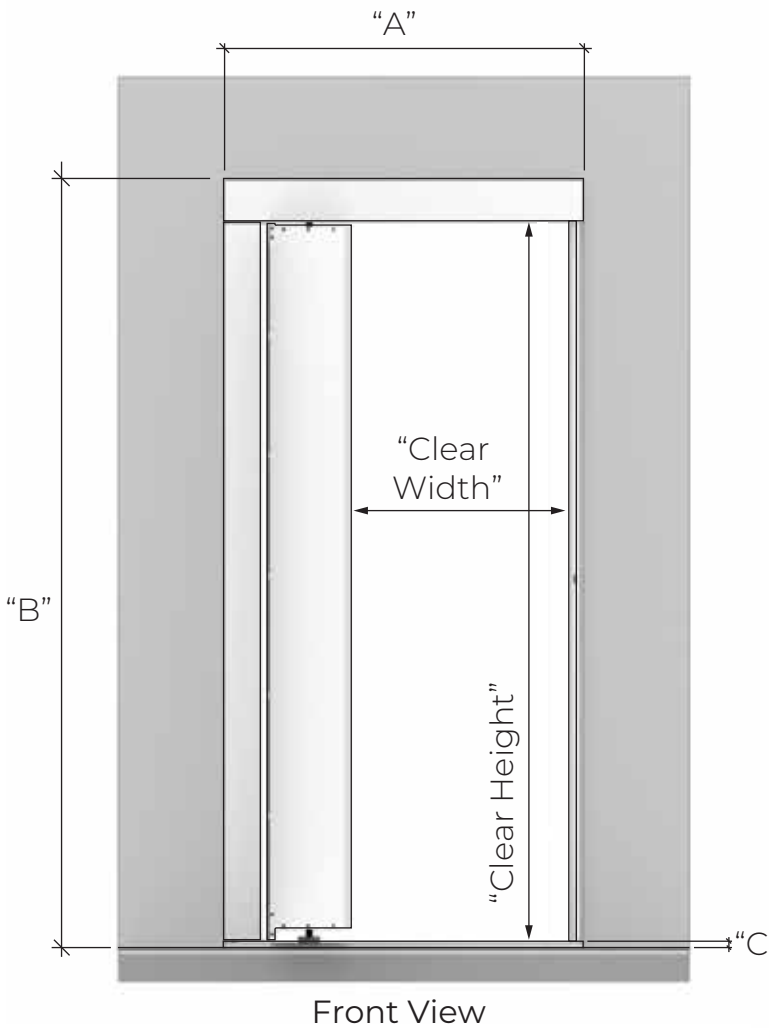
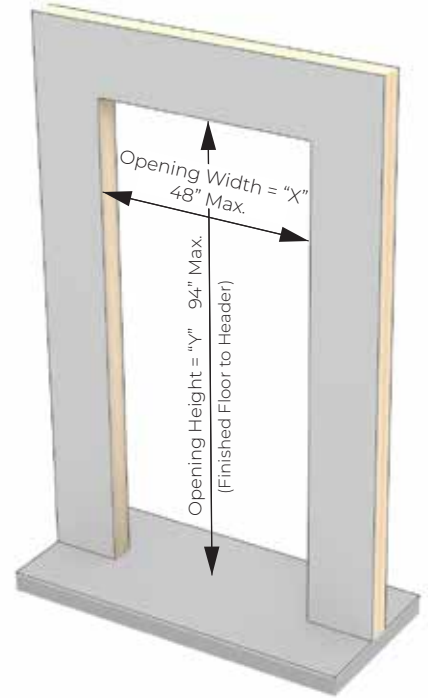
Use the charts below to determine the key dimensions of your door based on your chosen wall opening Width and Height.

### General Dimensions

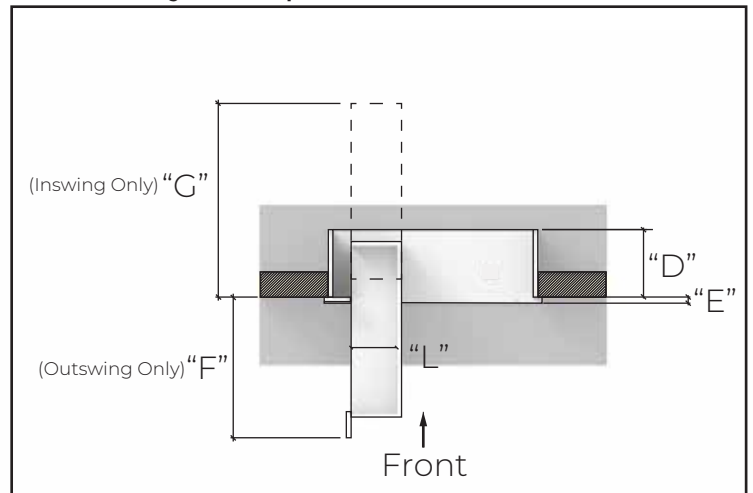
"A"	"X" + 1"
"B"	"Y" + .875"
"C"	.75"
"D"	12"
"E"	1"
"F"	"X" - 12.75"
"G"	"X" - 7.5"
"H"	3"
"I"	10"
"J"	"X" - 3.75"
"K"	"X" - 16.75"
"L"	8.25"

### Clearance Dimensions

Clear Width (Inswing)	"X" - 17.5"
Clear Width (Outswing)	"X" - 14.25"
Clear Height	"Y" - 4.5"



### Built-In Style - Top View



### Freestanding Style - Top View

